

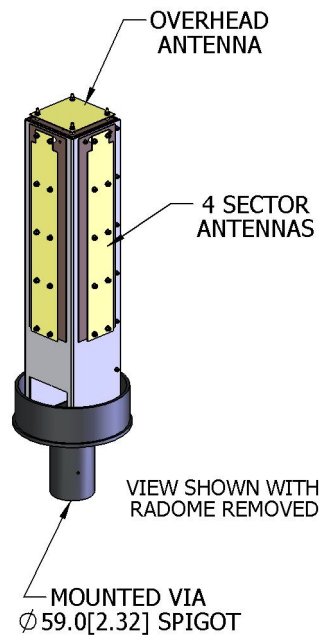
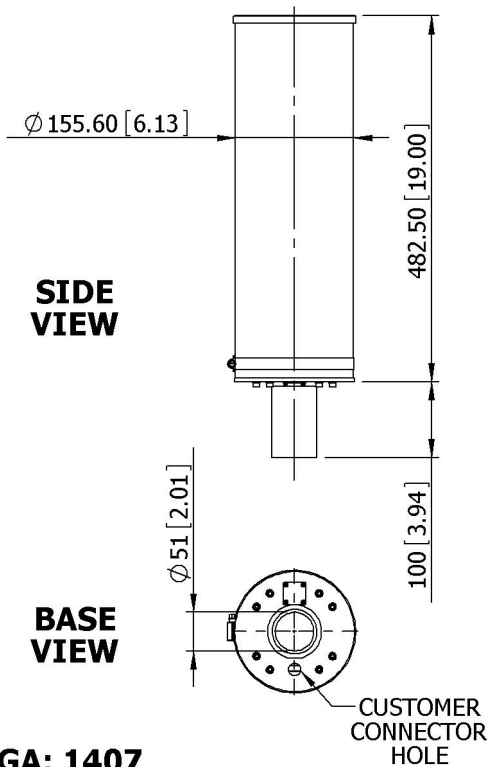
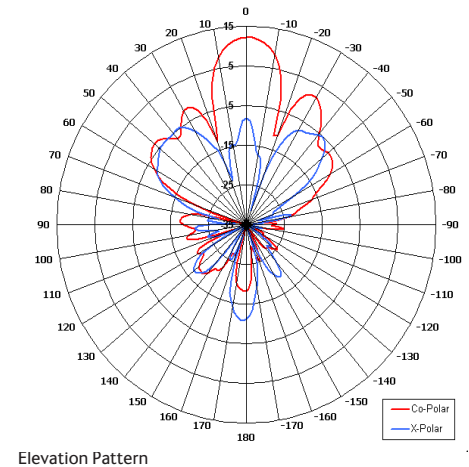
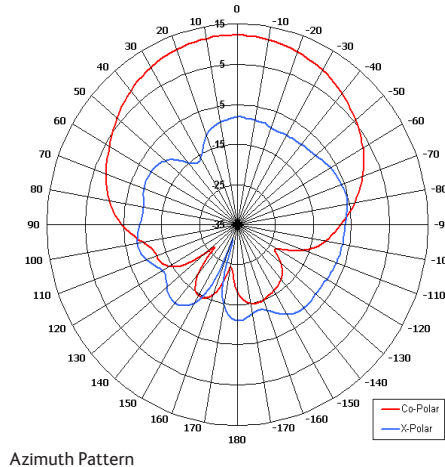
MSA5-3.3L/1407

COBHAM

Multi Sector Antenna

The most important thing we build is trust

- Designed for Air to Ground Telemetry Link
- Designed for Security Applications
- Azimuth Coverage 4 Sectors
- Overhead Coverage - LHC Element
- Provides Internal Mounting for Electronics



ELECTRICAL

Frequency	3.20 - 3.40 GHz
Gain	12.5 dBiC (Sectors) Nom 8.0 dBiC (Overhead) Nom
Polarisation	Left Hand Circular
Beamwidth	68° (Az) x 16.7° (El) Sectors 64° (Az) x 62° (El) (O/head) Approx
Axial Ratio	2.0 dB Typ (Sectors) 3.0 dB Typ (Overhead)
VSWR	1.5:1
Power Rating	10 W (each antenna)
Front to Back	>20.0 (Sectors)

MECHANICAL

Standard Finish	Gloss White Radome, Black Anodised Spigot
Mass	3.0 Kg (6.6 lbs)
Temperature	-20° to +50°C
Wind Loading	13 Kg (28.6 lbs) @ 100mph

MOUNTING OPTIONS

Kits Available	N/A
----------------	-----

See separate data sheets

ADDITIONAL NOTES

Issued 260210

European Antennas Limited trading as Cobham Antenna Systems, Microwave Antennas

European Antennas Limited has a policy of continuous development and stress that the information provided is a guide only and does not constitute an offer or contract or part thereof. Whilst every effort is made to ensure the accuracy of the information contained in this brochure, no responsibility can be accepted for any errors or omissions.

The copyright of antenna designs and images is copyright protected and owned by European Antennas Limited.
©European Antennas Limited

For further information please contact:

Cobham Antenna Systems, Microwave Antennas
Lambda House, Cheveley,
Newmarket, Suffolk CB8 9RG, UK.
Tel +44 (0)1638 732 177
Fax +44 (0) 1638 731999
Email antennasystems.ma@cobham.com