

EVD2-3.5/1433

COBHAM

Extra Rugged Dipole antenna

The most important thing we build is trust

Ultra wideband

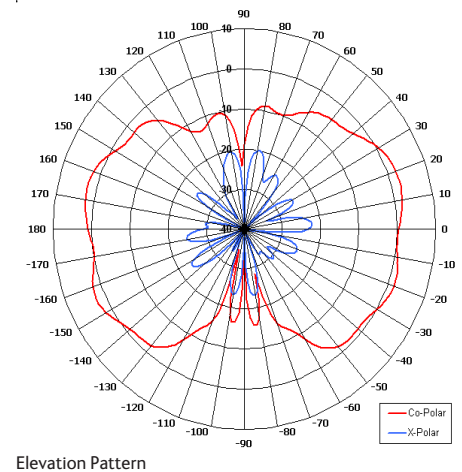
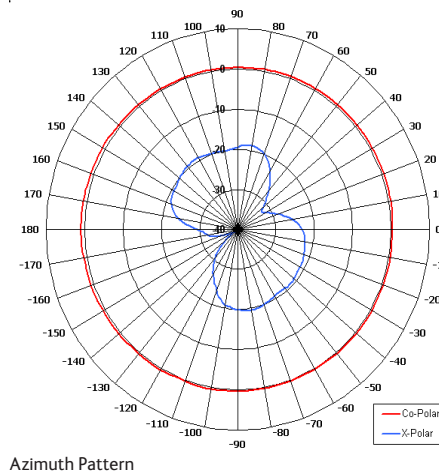
Omni-directional antenna

High power

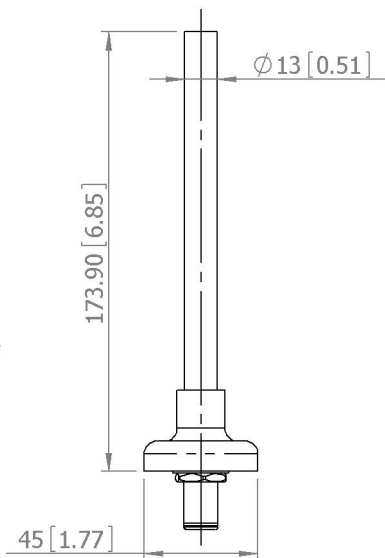
Light weight, rugged, low profile.

Full performance patterns available

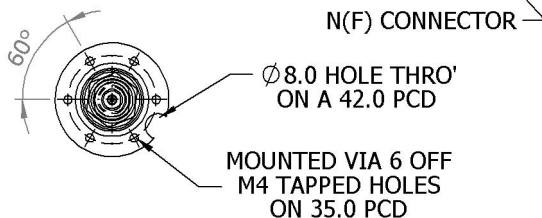
For defence and EW applications



Side View



Base View



GA: 1433

ELECTRICAL

Frequency	3.40 - 3.50 GHz
Gain	2 dBi nominal
Polarisation	Linear (vertical)
Beamwidth	360° (Az) x 80° (El)
Cross Polar	15 - 20 dB Typical
VSWR	2:1 typical
Power Rating	20W
Front to Back	N/A

MECHANICAL

Standard finish	Matt black
Mass	210g (7.5 oz)
Temperature	-20° to +50°C
Wind Loading	560g(1.03lbs) @ 100mph

MOUNTING OPTIONS

Kits available	N/A
See separate data sheets	

ADDITIONAL NOTES

European Antennas Limited trading as Cobham Antenna Systems, Microwave Antennas

European Antennas Limited has a policy of continuous development and stress that the information provided is a guide only and does not constitute an offer or contract or part thereof. Whilst every effort is made to ensure the accuracy of the information contained in this brochure, no responsibility can be accepted for any errors or omissions.

The copyright of antenna designs and images is copyright protected and owned by European Antennas Limited.
©European Antennas Limited

For further information please contact:

Cobham Antenna Systems, Microwave Antennas
Lambda House, Cheveley,
Newmarket, Suffolk CB8 9RG, UK.
Tel +44 (0)1638 732 177
Fax +44 (0) 1638 731999
Email antennasystems.ma@cobham.com