

EVD2-4.7/1471

COBHAM

Dipole Antenna

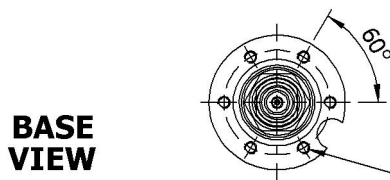
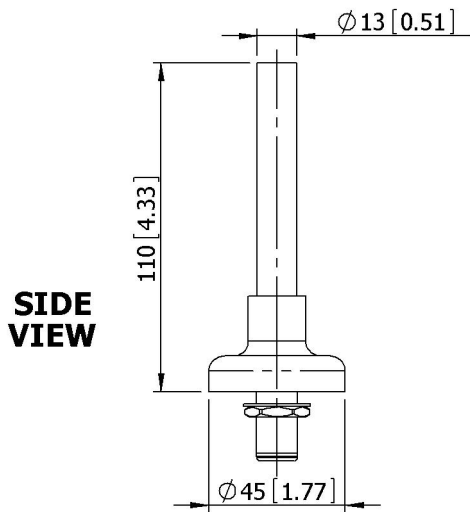
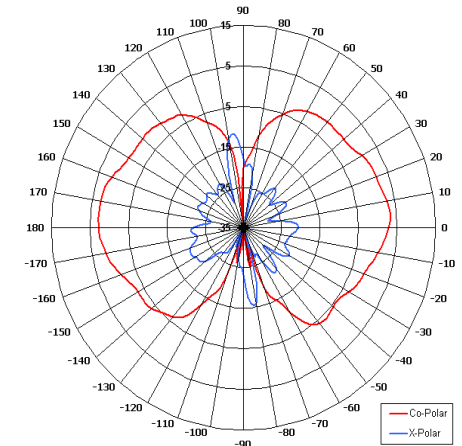
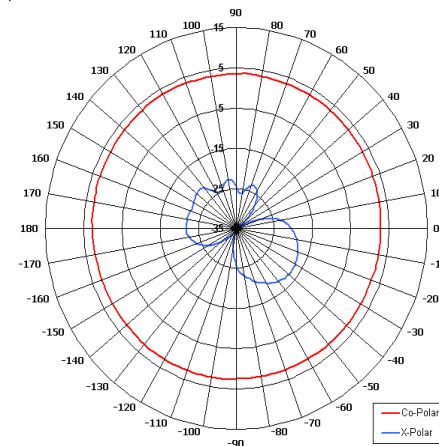
The most important thing we build is trust

Wide Band

Pattern - Omni Directional

Suitable for Military Applications

Rugged Design



GA: 1471

MOUNTED VIA
6 OFF M4 TAPPED HOLES
ON 35.0 PCD



ELECTRICAL

Frequency	4.40 - 5.00 GHz
Gain	3.5 dBi Nom
Polarisation	Linear (Vertical)
Beamwidth	360° (Az) x 40° (El) Approx
Cross Polar	15 - 20 dB Typ
VSWR	2:1
Power Rating	10 W
Front to Back	N/A

MECHANICAL

Standard Finish	Matt Black
Mass	200 g (7.0 oz) Approx
Temperature	-20° to +50°C
Wind Loading	325g (0.71 lbs) @ 100mph Approx

MOUNTING OPTIONS

Kits Available	N/A
See separate data sheets	

ADDITIONAL NOTES

Issued 110210

European Antennas Limited trading as Cobham Antenna Systems, Microwave Antennas

European Antennas Limited has a policy of continuous development and stress that the information provided is a guide only and does not constitute an offer or contract or part thereof. Whilst every effort is made to ensure the accuracy of the information contained in this brochure, no responsibility can be accepted for any errors or omissions.

The copyright of antenna designs and images is copyright protected and owned by European Antennas Limited.
©European Antennas Limited

For further information please contact:

Cobham Antenna Systems, Microwave Antennas
Lambda House, Cheveley,
Newmarket, Suffolk CB8 9RG, UK.
Tel +44 (0)1638 732 177
Fax +44 (0) 1638 731999
Email antennasystems.ma@cobham.com