

EVD2-1.5V/1646



Dipole antenna

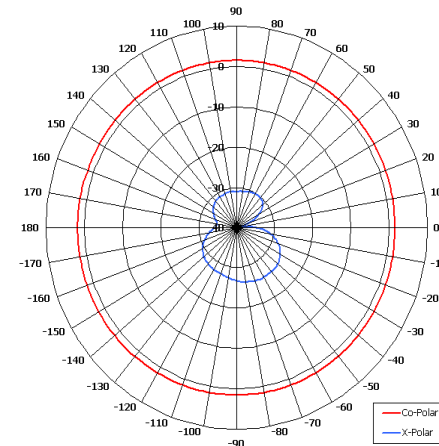
The most important thing we build is trust

Designed for Airborne applications

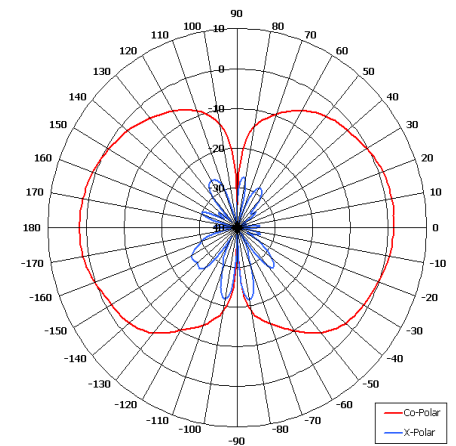
Lightweight design

Low profile design

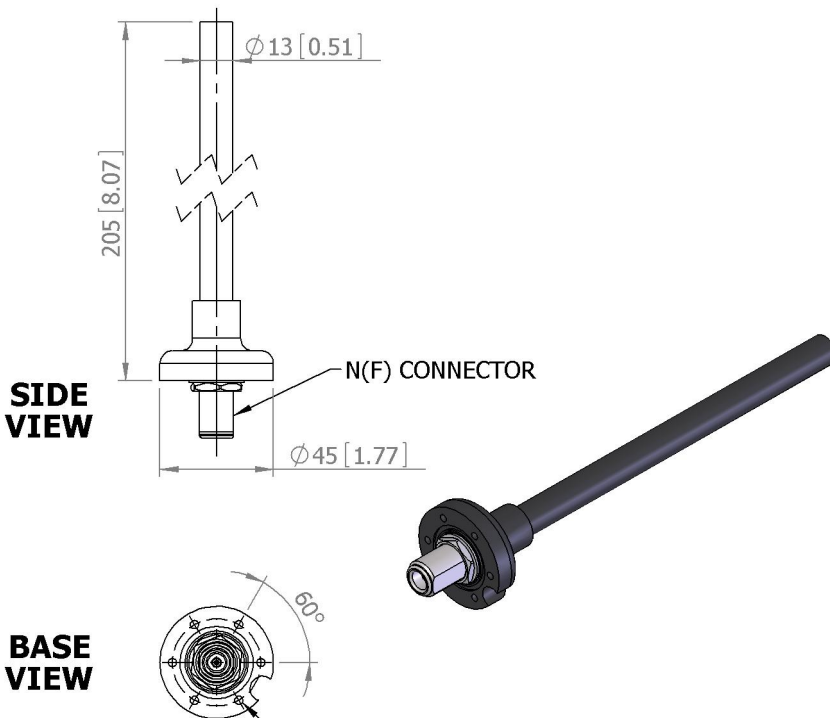
Pattern - Omni directional



Azimuth Pattern



Elevation Pattern



SIDE VIEW

BASE VIEW

MOUNTED VIA 6 OFF M4 TAPPED HOLES ON A 35.0 PCD

GA: 1646

ELECTRICAL

Frequency	1.400 - 1.525 GHz
Gain	2 dBi
Polarisation	Linear (vertical)
Beamwidth	360° (Az) x 70° (El) Approx
Cross Polar	20 dB
VSWR	2:1 typical
Power Rating	10W
Front to Back	N/A
Electrical Tilt	N/A

MECHANICAL

Standard finish	Matt black
Mass	200g (7.04 ozs)
Temperature	-20° to +50°C
Wind Loading	430g (15.2 ozs) @ 100mph

MOUNTING OPTIONS

Kits available	N/A
See separate data sheets	

European Antennas Limited trading as Cobham Antenna Systems, Microwave Antennas

European Antennas Limited has a policy of continuous development and stress that the information provided is a guide only and does not constitute an offer or contract or part thereof. Whilst every effort is made to ensure the accuracy of the information contained in this brochure, no responsibility can be accepted for any errors or omissions.

The copyright of antenna designs and images is copyright protected and owned by European Antennas Limited.
©European Antennas Limited

For further information please contact:

Cobham Antenna Systems, Microwave Antennas
 Lambda House, Cheveley,
 Newmarket, Suffolk CB8 9RG, UK.
 Tel +44 (0)1638 732 177
 Fax +44 (0) 1638 731999
 Email antennasystems.ma@cobham.com