

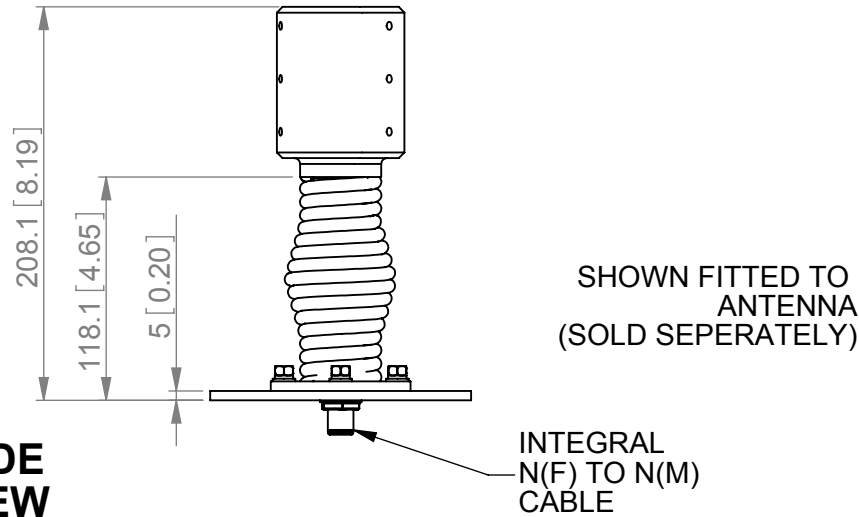
OMNI ANTENNA SPRING MOUNT SPRING MOUNT STD 57/MK7/B

SPECIFICATION

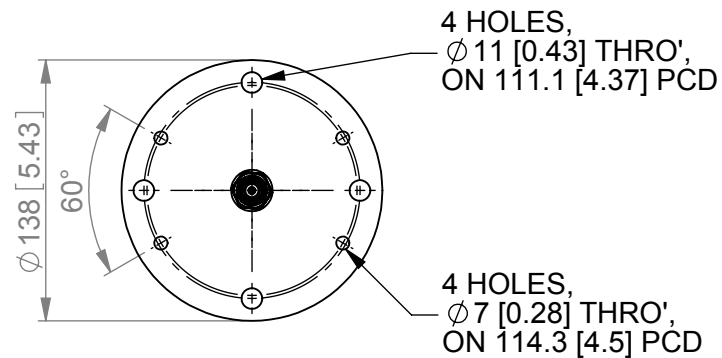
MOUNTING:	Via holes provided
EL. ADJUSTMENT:	None
AZ. ADJUSTMENT:	None
MATERIAL:	Ø7.0 Wire, Carbon Steel Spring Aluminium Brackets
FINISH:	Zinc Plate + Black Pass. Spring Anodised Black Brackets
MASS:	1.3 Kg / 2.9 lbs

SUITABLE FOR MOUNTING OF OMNI ANTENNAS
WITH N(F) CONNECTOR AND Ø57 SPIGOT

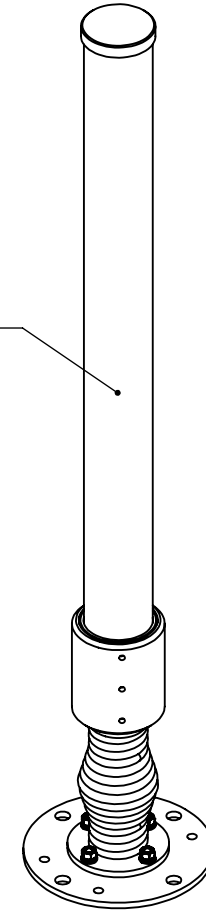
SIDE VIEW



BASE VIEW



ISOMETRIC VIEW



SPRING MOUNT STD 57/MK7/B

GA: MK7/B-1 Issued: 110309
DIMENSIONS: mm [inches] M

European Antennas Ltd. has a policy of continuous development and therefore stress that the data contained on this sheet should be used for guidance only.

European Antennas Ltd is part of Cobham Defence Electronic Systems



Certificate No 9268

European Antennas Ltd
Lambda House, Cheveley
Newmarket, Suffolk, CB8 9RG, UK
Tel: +44 (0)1638 731888
sales@european-antennas.co.uk
www.european-antennas.co.uk