

MEDIUM WEIGHT MOUNTING KIT/154A



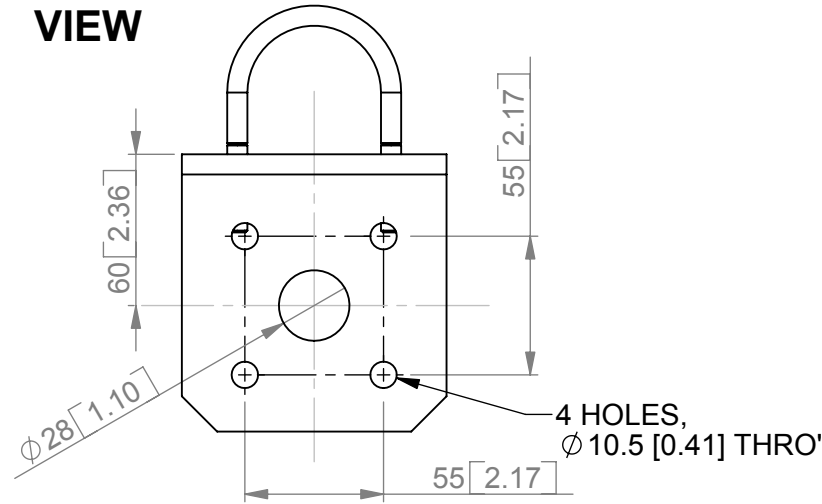
MECHANICAL

MOUNTING:	FITS UP TO 50.8MM (2") POLES
EL. ADJUSTMENT:	NONE
AZ. ADJUSTMENT:	VIA ROTATION ON POLE
MATERIAL:	MILD STEEL BRACKET, ST. STEEL FASTENERS
STANDARD FINISH:	ZINC PLATED
MASS:	1 Kg / 2.2 lbs

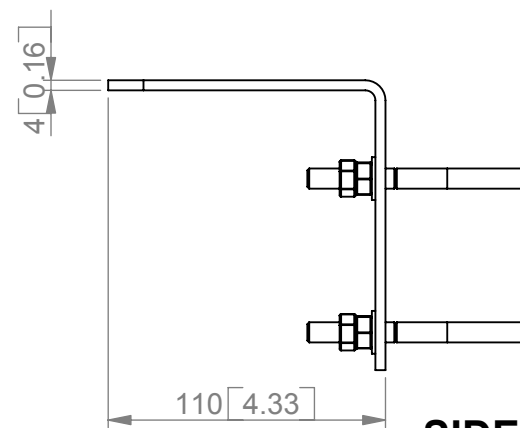
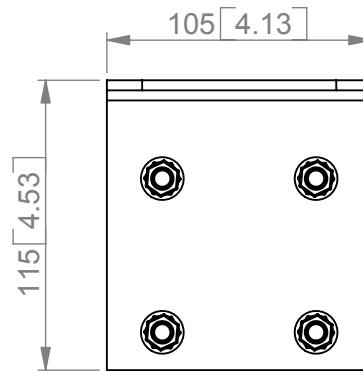
SUPPLIED WITH M10 SET SCREWS FOR FITMENT TO ANTENNA

GA: 154A-1 Issued: 121107
DIMENSIONS: mm [inches]

TOP VIEW



FRONT VIEW



ISOMETRIC VIEW

(SHOWN FITTED TO 1480B - NOT SUPPLIED)



MEDIUM WEIGHT MOUNTING KIT/154A

European Antennas Ltd. has a policy of continuous development and therefore stress that the data contained on this sheet should be used for guidance only.

European Antennas Ltd. is part of the Cobham Antennas Division



Certificate No 9268

European Antennas Ltd
Lambda House, Cheveley
Newmarket, Suffolk, CB8 9RG, UK
Tel: +44 (0)1638 731888
sales@european-antennas.co.uk
www.european-antennas.co.uk