



EUROPEAN ANTENNAS

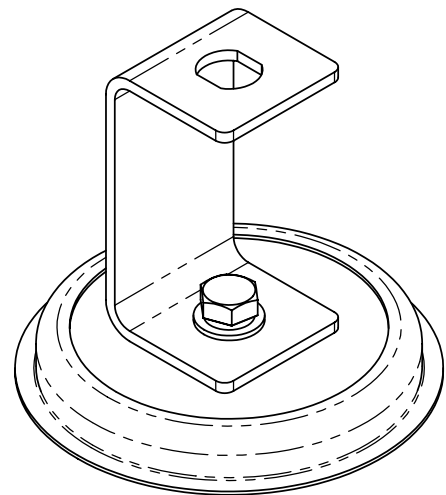
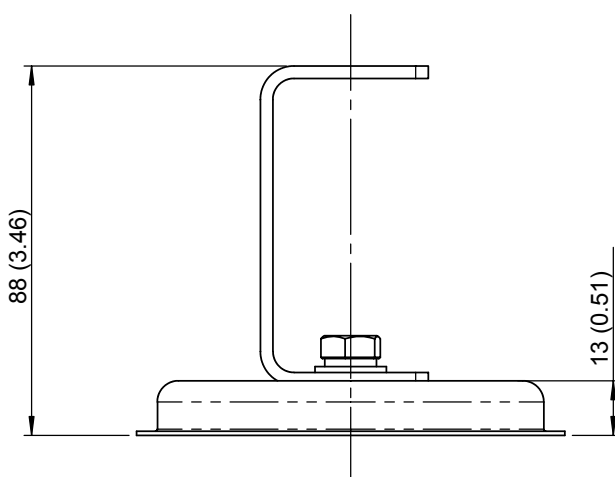
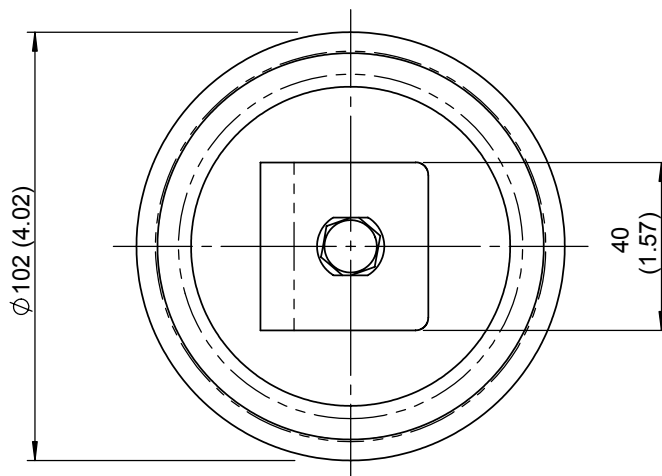
Excellence through design
Creative in concept

EVD2 MAGNETIC MOUNT

MODEL: 001A

MAGNETIC MOUNT FOR EVD2 ANTENNAS WITH N(F) BULKHEAD CONNECTORS

TOP VIEW



PROTECTIVE RUBBER
FOOT

ISOMETRIC VIEW

SIDE VIEW

DIMENSIONS: mm (inches)

GA:001A - 1 Issued: 190203

EUROPEAN ANTENNAS LTD.

Tel: +44 (0)1638 731888
Fax: +44 (0)1638 731999

LAMBDA HOUSE, CHEVELEY
NEWMARKET, SUFFOLK, CB8 9RG,
UNITED KINGDOM

E-Mail: sales@european-antennas.co.uk
Website: www.european-antennas.co.uk

European Antennas Ltd. has a policy of continuous development and therefore stress that the data contained on this sheet should be used for guidance only.