

SA17-60-3.5DS/9319

COBHAM

Sector Antenna

The most important thing we build is trust

Designed for WiMAX/LTE Applications

Dual Slant Polarisation

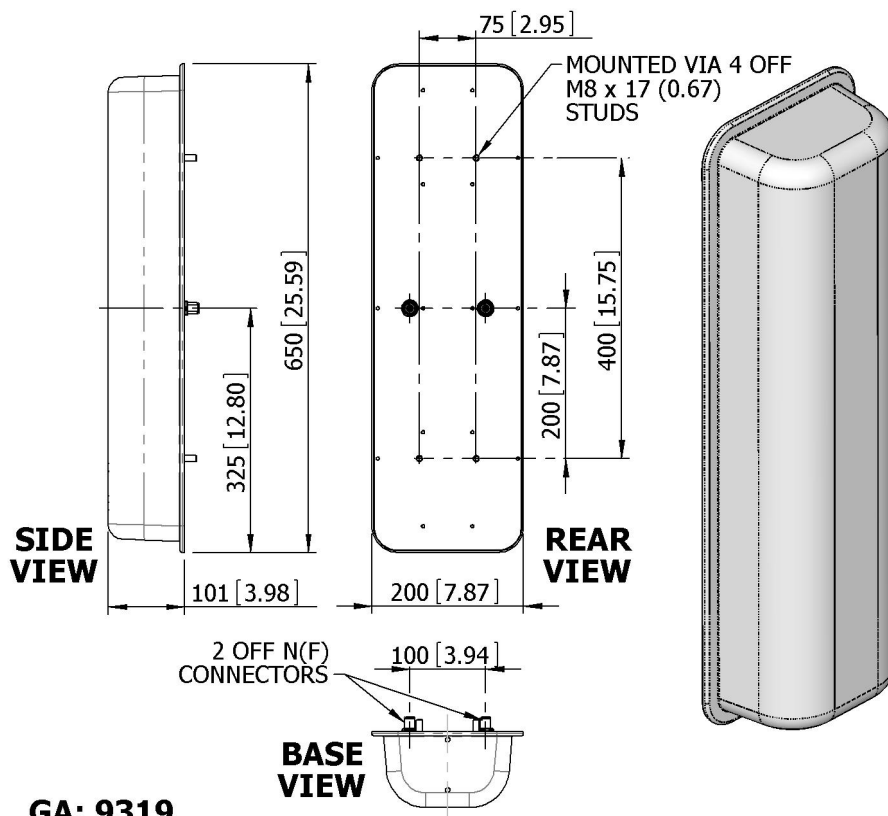
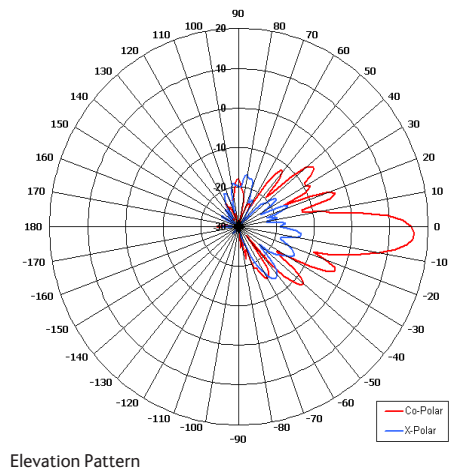
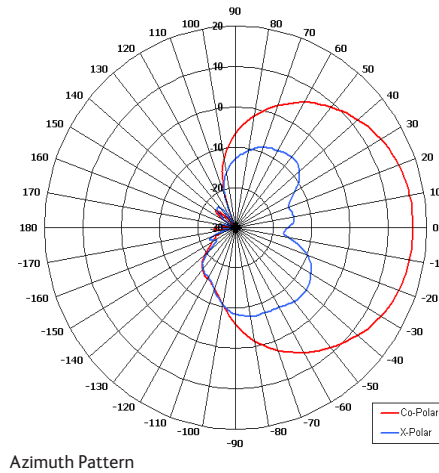
Electrical Downtilt

High Gain

Adjustable Mounting Kit

Conforms to ETSI EN 302 326-3

V1.2.2 Class SS 2



ELECTRICAL

Frequency	3.30 - 3.72 GHz
Gain	17.2 dBi Nom
Polarisation	Dual Slant +/-45°
Beamwidth	65° (Az) x 9° (El) Approx
Cross Polar	SS2 Compliant
VSWR	1.5:1
Power Rating	30 W
Front to Back	>35 dB
Electrical Downtilt	2.8°

MECHANICAL

Standard Finish	Light Grey UV Stable Radome
Mass	2.0 Kg (4.4 lbs)
Temperature	-40° to +60°C
Wind Loading	21.1 Kg (46.6 lbs) @ 100mph

MOUNTING OPTIONS

Kits Available	MK1/A
See separate data sheets	

ADDITIONAL NOTES

Issued 150710

European Antennas Limited trading as Cobham Antenna Systems, Microwave Antennas

European Antennas Limited has a policy of continuous development and stress that the information provided is a guide only and does not constitute an offer or contract or part thereof. Whilst every effort is made to ensure the accuracy of the information contained in this brochure, no responsibility can be accepted for any errors or omissions.

The copyright of antenna designs and images is copyright protected and owned by European Antennas Limited.
©European Antennas Limited

For further information please contact:

Cobham Antenna Systems, Microwave Antennas
 Lambda House, Cheveley,
 Newmarket, Suffolk CB8 9RG, UK.
 Tel +44 (0)1638 732 177
 Fax +44 (0) 1638 731999
 Email newmarket.sales@cobham.com