

# SA14-120-3.5V/9313

# COBHAM

## Sector Antenna

The most important thing we build is trust

Designed for WiMAX/LTE Applications

Vertical Polarisation

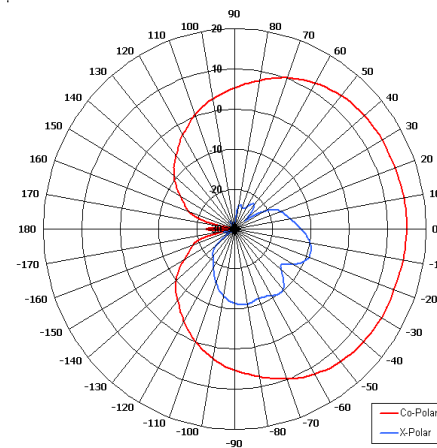
Wide Band

High Gain

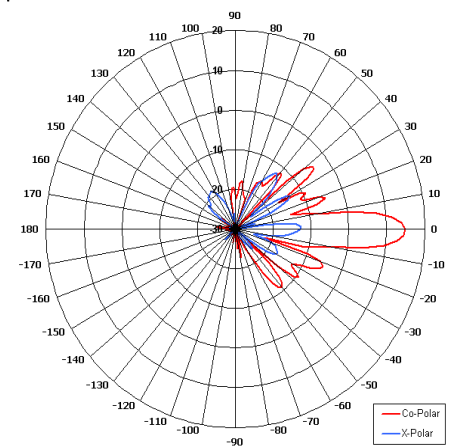
Adjustable Mounting Kit

Conforms to ETSI EN 302 326-3

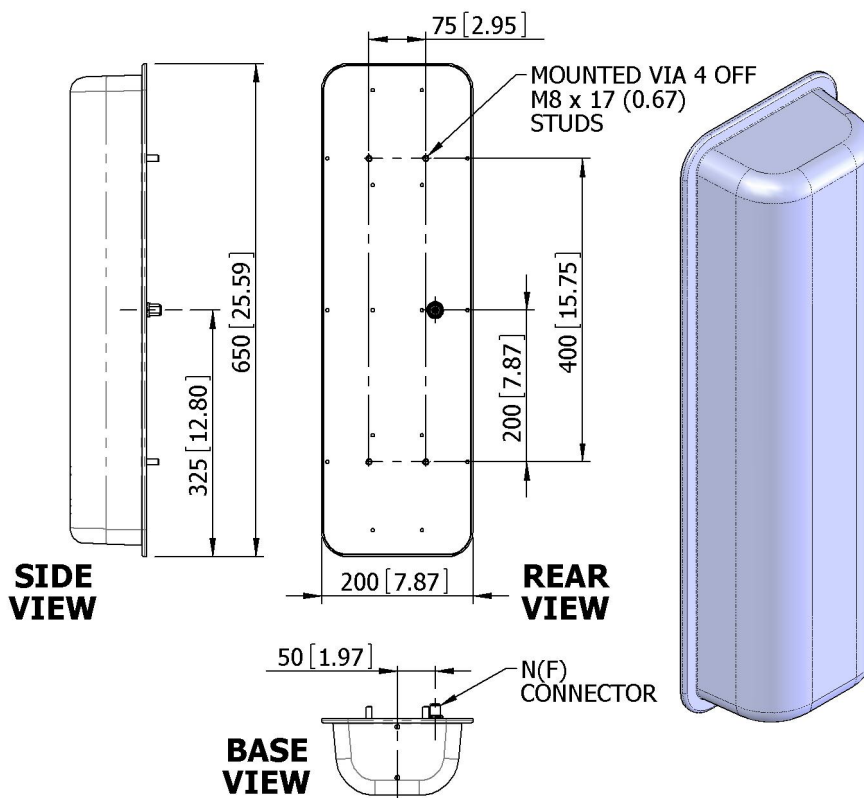
V1.2.2 Class SS 2



Azimuth Pattern



Elevation Pattern



**GA: 9313**

### ELECTRICAL

Frequency	3.30 - 3.80 GHz
Gain	14.8 dBi Nom
Polarisation	Linear (Vertical)
Beamwidth	120° (Az) x 8° (El) Approx
Cross Polar	>20 dB Typ
VSWR	<1.5:1
Power Rating	50 W
Front to Back	N/A
Electrical Downtilt	1°

### MECHANICAL

Standard Finish	LightGrey UV Stable Radome
Mass	3.5 Kg (7.7 lbs) inc. packaging
Temperature	-40° to +60°C
Wind Loading	21.1 Kg (46.4 lbs) @ 100mph

### MOUNTING OPTIONS

Kits Available	MK1/A
----------------	-------

See separate data sheets

### ADDITIONAL NOTES

Issued 160710

European Antennas Limited trading as Cobham Antenna Systems, Microwave Antennas

European Antennas Limited has a policy of continuous development and stress that the information provided is a guide only and does not constitute an offer or contract or part thereof. Whilst every effort is made to ensure the accuracy of the information contained in this brochure, no responsibility can be accepted for any errors or omissions.

The copyright of antenna designs and images is copyright protected and owned by European Antennas Limited.  
©European Antennas Limited

For further information please contact:

Cobham Antenna Systems, Microwave Antennas

Lambda House, Cheveley,

Newmarket, Suffolk CB8 9RG, UK.

Tel +44 (0)1638 732 177

Fax +44 (0) 1638 731999

Email [newmarket.sales@cobham.com](mailto:newmarket.sales@cobham.com)