

# RFID ABOVE DOOR ANTENNA SA4-0.9V/9407



## ELECTRICAL

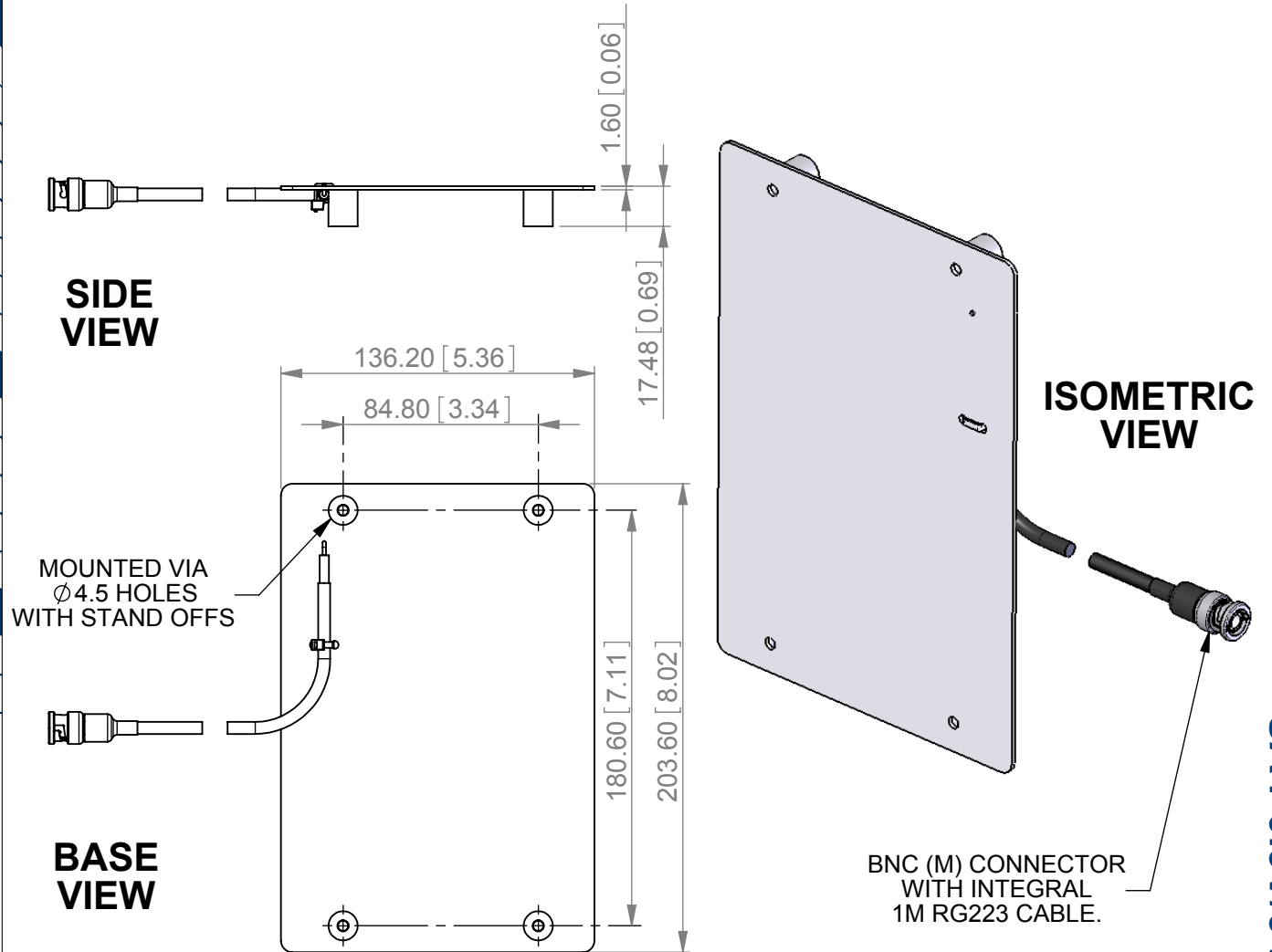
FREQUENCY:	820 - 920 MHz
GAIN:	4.0 dBi Typical
POLARISATION:	Linear (Vertical)
BEAMWIDTH:	180° (Az) x 75° (El)
VSWR:	1.5:1 Typ, 2:1 Max.
POWER RATING:	10 W
FRONT TO BACK:	>14 dB

## MECHANICAL

STANDARD FINISH:	Gloss White
MASS:	200 g / 0.44 lbs
TEMPERATURE:	-40° to +60°C
WIND LOADING:	N/A

## MOUNTING OPTIONS

KITS AVAILABLE:	N/A
-----------------	-----



SA4-0.9V/9407

GA: 9407-2 Issued: 090108  
DIMENSIONS: mm [inches] M

European Antennas Ltd. has a policy of continuous development and therefore stress that the data contained on this sheet should be used for guidance only.

European Antennas Ltd. is part of the Cobham Antennas Division

**COBHAM** Antennas



Certificate No 9268

European Antennas Ltd  
Lambda House, Cheveley  
Newmarket, Suffolk, CB8 9RG, UK  
Tel: +44 (0)1638 731888  
sales@european-antennas.co.uk  
[www.european-antennas.co.uk](http://www.european-antennas.co.uk)