

# RFID FLAT PANEL ANTENNA FPA2-0.9R/9405



## ELECTRICAL

|                |                     |
|----------------|---------------------|
| FREQUENCY:     | 868 MHz             |
| GAIN:          | 1.5 dBiC            |
| POLARISATION:  | Right Hand Circular |
| BEAMWIDTH:     | 85° (Az) x 75° (El) |
| AXIAL RATIO:   | 3.5 dB              |
| VSWR:          | 1.5:1               |
| POWER RATING:  | 10 W                |
| FRONT TO BACK: | 20 dB               |

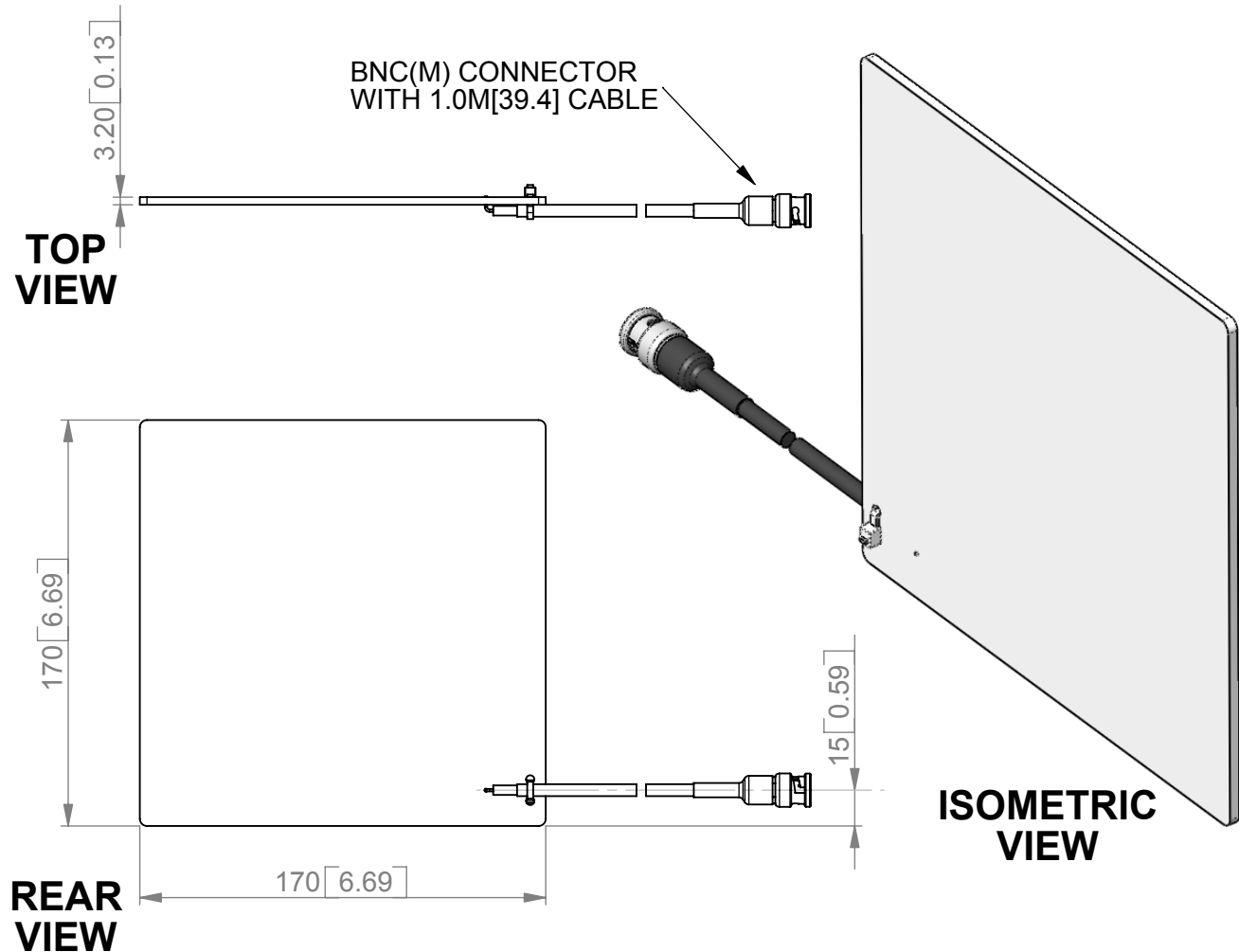
## MECHANICAL

|                  |                  |
|------------------|------------------|
| STANDARD FINISH: | Gloss White      |
| MASS:            | 270 g / 9.53 oz  |
| TEMPERATURE:     | -20° to +50°C    |
| WIND LOADING:    | N/A (indoor use) |

## MOUNTING OPTIONS

|                          |                       |
|--------------------------|-----------------------|
| KITS AVAILABLE:          | MK3 via Adhesive Pads |
| See Separate Data Sheets |                       |

GA: 9405-1      Issued: 200607  
 DIMENSIONS: mm [inches]      M



FPA2-0.9R/9405

European Antennas Ltd. has a policy of continuous development and therefore stress that the data contained on this sheet should be used for guidance only.

European Antennas Ltd. is part of the Cobham Antennas Division



Certificate No 9268

European Antennas Ltd  
 Lambda House, Cheveley  
 Newmarket, Suffolk, CB8 9RG, UK  
 Tel: +44 (0)1638 731888  
 sales@european-antennas.co.uk  
[www.european-antennas.co.uk](http://www.european-antennas.co.uk)