

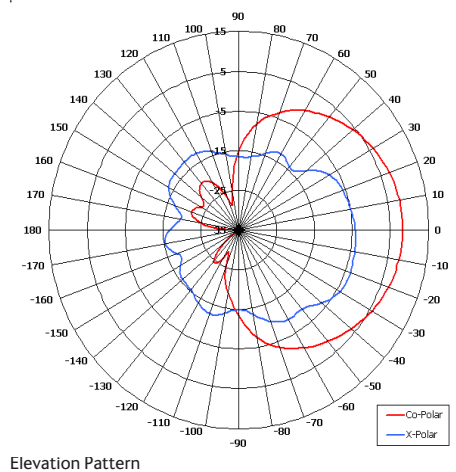
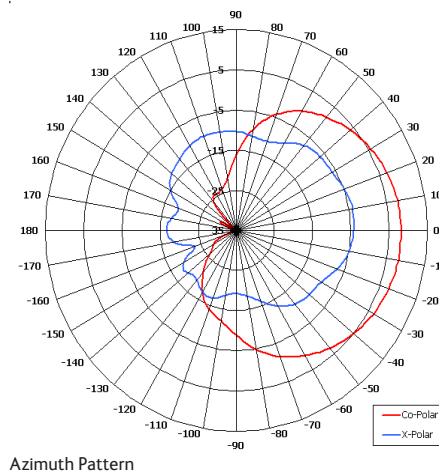
# FPA7-0.41R/1805

**COBHAM**

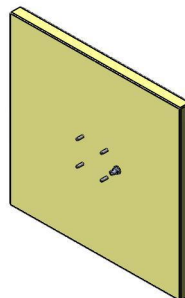
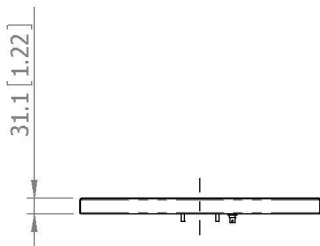
Directional Antenna

The most important thing we build is trust

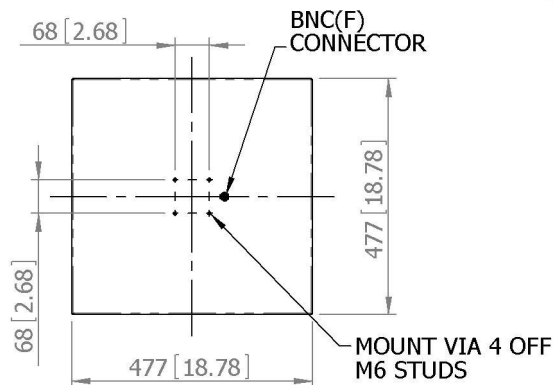
- Designed for Security Applications
- Suitable for Point to Point Applications
- Right Hand Circular Polarised
- Low Profile
- Adjustable Mounting Kit



**SIDE VIEW**



**BASE VIEW**



**GA: 1805**

**ELECTRICAL**

Frequency	407.2 - 417.2 MHz
Gain	7 dBiC Nom
Polarisation	Right Hand Circular
Beamwidth	70° (Az) x 70° (El) Approx
Axial Ratio	3-6 dB Typ
VSWR	2:1 Max
Power Rating	10 W
Front to Back	20 dB Typ
Electrical Tilt	N/A

**MECHANICAL**

Standard Finish	Gloss White Radome, Alocrom Housing
Mass	2.1 Kg
Temperature	-20° to +50°C
Wind Loading	36.9 Kg (81.18 lbs) @ 100 mph

**MOUNTING OPTIONS**

Kits Available	MK4
See separate data sheets	

**ADDITIONAL NOTES**

Issued 160710

European Antennas Limited trading as Cobham Antenna Systems, Microwave Antennas

European Antennas Limited has a policy of continuous development and stress that the information provided is a guide only and does not constitute an offer or contract or part thereof. Whilst every effort is made to ensure the accuracy of the information contained in this brochure, no responsibility can be accepted for any errors or omissions.

The copyright of antenna designs and images is copyright protected and owned by European Antennas Limited.  
©European Antennas Limited

For further information please contact:

Cobham Antenna Systems, Microwave Antennas  
 Lambda House, Cheveley,  
 Newmarket, Suffolk CB8 9RG, UK.  
 Tel +44 (0)1638 732 177  
 Fax +44 (0) 1638 731999  
 Email newmarket.sales@cobham.com