

FPA18-2.2V/1802

COBHAM

Directional Antenna

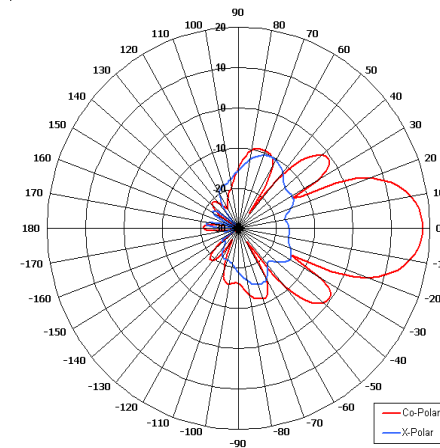
The most important thing we build is trust

Designed for Point to Point Applications

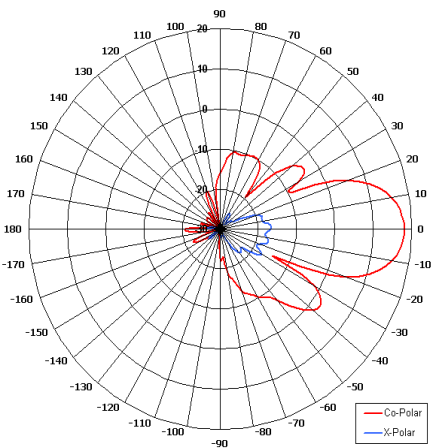
Suitable for Ground Based Applications

Rugged

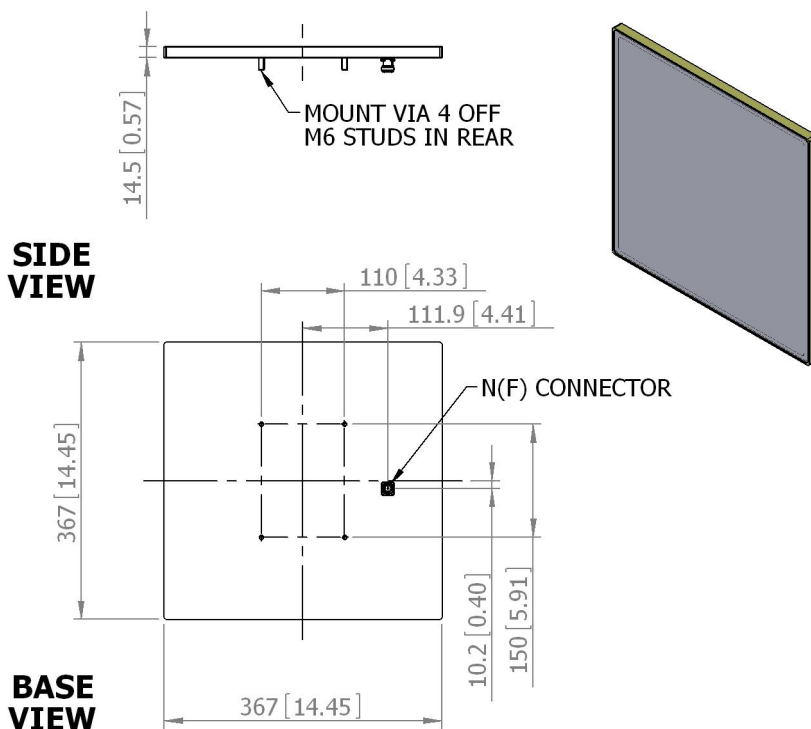
Low Profile



Azimuth Pattern



Elevation Pattern



GA: 1802

ELECTRICAL

Frequency	2.10 - 2.40 GHz
Gain	18 dBi Nom
Polarisation	Linear (Vertical)
Beamwidth	20° (Az) x 20° (El) Approx
Cross Polar	20 dB Typ
VSWR	1.5:1 Typ, 2:1 Worst Case
Power Rating	20 W
Front to Back	30 dB Min

MECHANICAL

Standard Finish	Gloss White/Alocrom 1200
Mass	2.2 Kg (4.8 lbs)
Temperature	-20° to +50°C
Wind Loading	21.8 Kg (48.1 lbs) @ 100mph

MOUNTING OPTIONS

Kits Available	MK 2
See separate data sheets	

ADDITIONAL NOTES

Issued 190711

European Antennas Limited trading as Cobham Antenna Systems, Microwave Antennas

European Antennas Limited has a policy of continuous development and stress that the information provided is a guide only and does not constitute an offer or contract or part thereof. Whilst every effort is made to ensure the accuracy of the information contained in this brochure, no responsibility can be accepted for any errors or omissions.

The copyright of antenna designs and images is copyright protected and owned by European Antennas Limited.
©European Antennas Limited

For further information please contact:

Cobham Antenna Systems, Microwave Antennas
Lambda House, Cheveley,
Newmarket, Suffolk CB8 9RG, UK.
Tel +44 (0)1638 732 177
Fax +44 (0) 1638 731999
Email newmarket.sales@cobham.com