

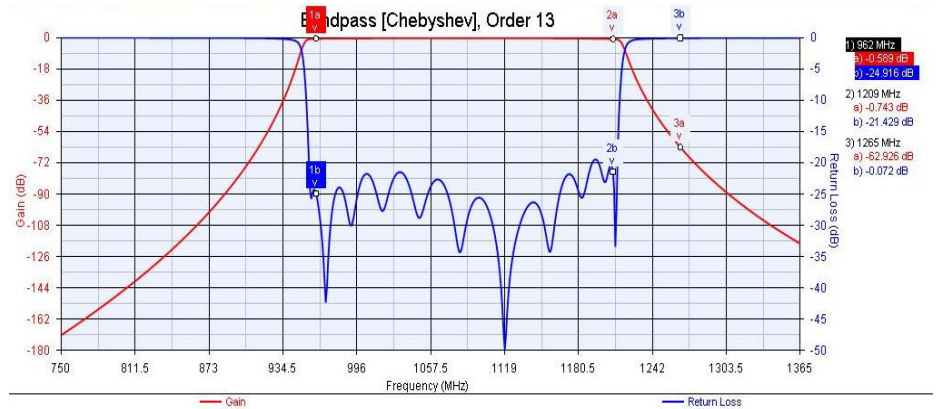
BPF-0.96-1.22/1911

COBHAM

Interdigital Bandpass Filter

The most important thing we build is trust

Designed for use with LINK16 Application
 High Level Band-Stop Primary Link16 Bands
 Suitable for Tactical Comms Applications
 High Power



Filter Response

ELECTRICAL

Passband From 962 MHz to 1213 MHz

Insertion Loss at Bandedges 0.9 dB Max

Insertion Loss at Bandedges 0.7 dB Typ

VSWR 1.3:1 Max

Rejection from DC to 750 MHz 60 dB Min

Rejection from 1265 MHz to 4000 MHz 60 dB

Maximum Power Handling 1000W Peak

220 W Average

MECHANICAL

Standard Finish Gloss White

Mass 675g (1.48 lbs) Approx

Temperature -20° to +50°C

Connectors Input - N- Female
 Output - N-Female

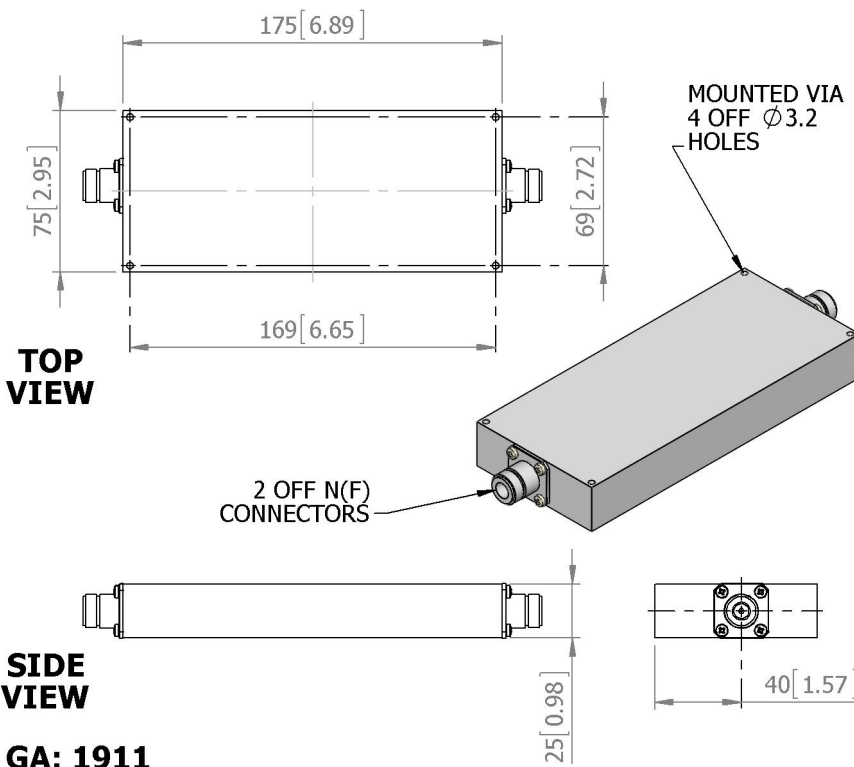
MOUNTING OPTIONS

Kits Available N/A

See separate data sheets

ADDITIONAL NOTES

Issued 071011



TOP VIEW

SIDE VIEW

GA: 1911

European Antennas Limited trading as Cobham Antenna Systems, Microwave Antennas

European Antennas Limited has a policy of continuous development and stress that the information provided is a guide only and does not constitute an offer or contract or part thereof. Whilst every effort is made to ensure the accuracy of the information contained in this brochure, no responsibility can be accepted for any errors or omissions.

The copyright of antenna designs and images is copyright protected and owned by European Antennas Limited.
 ©European Antennas Limited

For further information please contact:

Cobham Antenna Systems, Microwave Antennas

Lambda House, Cheveley,

Newmarket, Suffolk CB8 9RG, UK.

Tel +44 (0)1638 732 177

Fax +44 (0) 1638 731999

Email newmarket.sales@cobham.com