

# SVD2-7200/1603

**COBHAM**

Omni Antenna

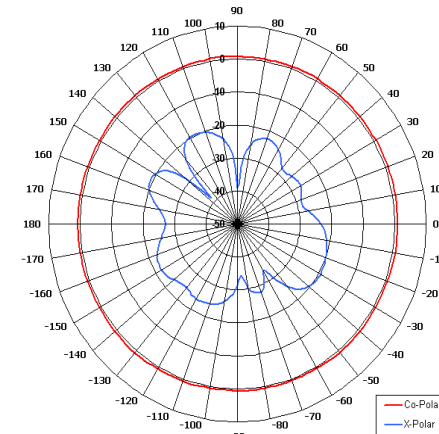
The most important thing we build is trust

Designed for Broadcast Applications

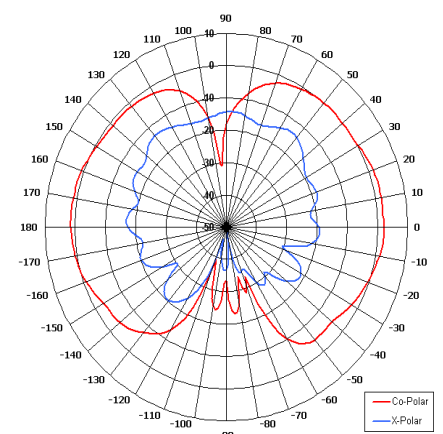
Pattern - Omni Directional

Lightweight Design

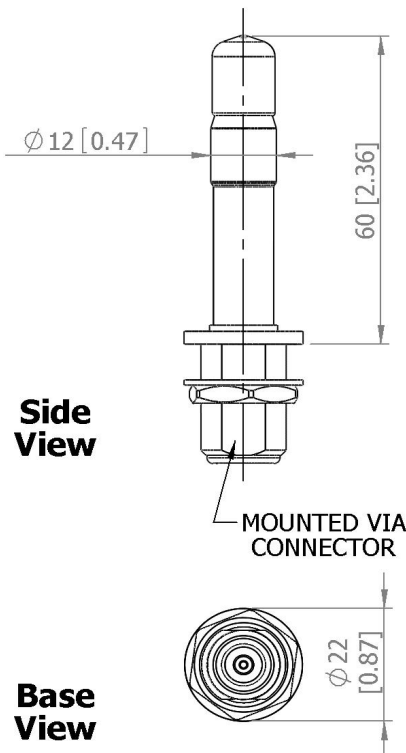
Low Profile Design



Azimuth Pattern

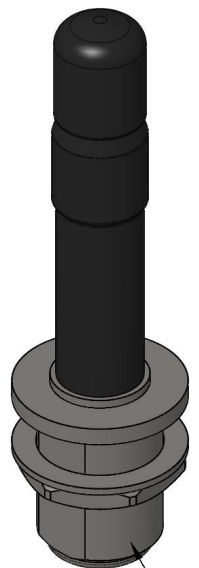


Elevation Pattern



**Side View**

**Base View**



N(F) CONNECTOR

**ELECTRICAL**

Frequency	6.0 - 7.4 GHz
Gain	2 dBi Nom
Polarisation	Linear (Vertical)
Beamwidth	360° (Az) x 80° (El) Approx
Cross Polar	15 - 20 dB Typ
VSWR	2:1 Max
Power Rating	20W
Front to Back	N/A

**MECHANICAL**

Standard Finish	Matt Black
Mass	48g (1.68 oz) Approx
Temperature	-20° to +50°C
Wind Loading	0.12 kg/0.26lbs @ 100mph

**MOUNTING OPTIONS**

Kits Available	MK5
See separate data sheets	

**ADDITIONAL NOTES**

**GA: 1603**

European Antennas Limited trading as Cobham Antenna Systems, Microwave Antennas

European Antennas Limited has a policy of continuous development and stress that the information provided is a guide only and does not constitute an offer or contract or part thereof. Whilst every effort is made to ensure the accuracy of the information contained in this brochure, no responsibility can be accepted for any errors or omissions.

The copyright of antenna designs and images is copyright protected and owned by European Antennas Limited.  
©European Antennas Limited

Issued 180310

For further information please contact:

Cobham Antenna Systems, Microwave Antennas  
 Lambda House, Cheveley,  
 Newmarket, Suffolk CB8 9RG, UK.  
 Tel +44 (0)1638 732 177  
 Fax +44 (0) 1638 731999  
 Email newmarket.sales@cobham.com