

HDA-1.3V/1632

COBHAM

Window Antenna

The most important thing we build is trust

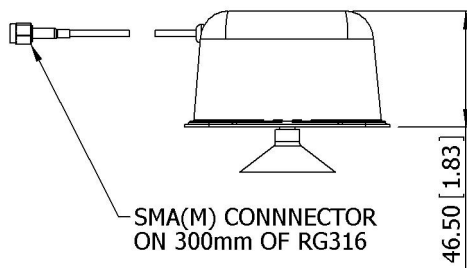
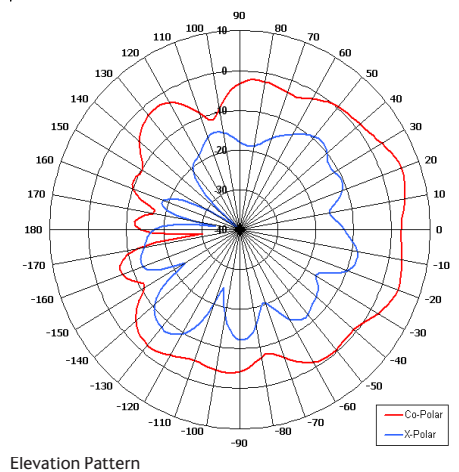
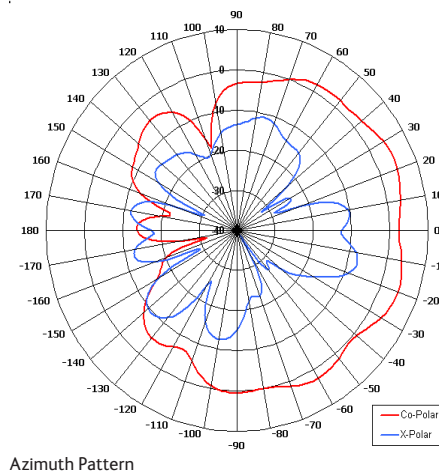
Designed for Security Applications

Pattern - Sectorial

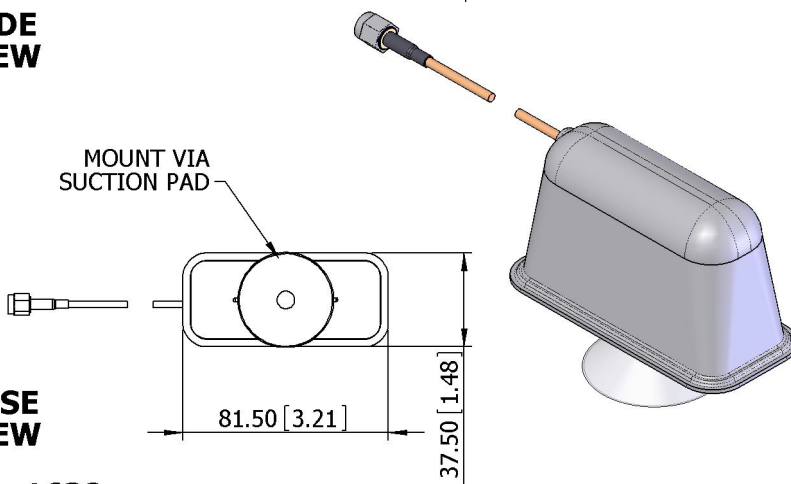
Lightweight Design

Suitable for Military Applications

Glass Mountable



SIDE VIEW



BASE VIEW

GA: 1632

ELECTRICAL

Frequency	1.26 - 1.40 GHz
Gain	2.0 dBi Nom
Polarisation	Linear (Vertical)
Beamwidth	170° (Az) x 80° (El) Approx
Cross Polar	>15 dB Typ
VSWR	3:1 Max <2:1 Typ
Power Rating	10 W
Front to Back	>10 dB

MECHANICAL

Standard Finish	Grey Radome
Mass	32 g (11.3 oz)
Temperature	-20° to +50°C
Wind Loading	N/A

MOUNTING OPTIONS

Kits Available	N/A
See separate data sheets	

ADDITIONAL NOTES

Issued 110310

European Antennas Limited trading as Cobham Antenna Systems, Microwave Antennas

European Antennas Limited has a policy of continuous development and stress that the information provided is a guide only and does not constitute an offer or contract or part thereof. Whilst every effort is made to ensure the accuracy of the information contained in this brochure, no responsibility can be accepted for any errors or omissions.

The copyright of antenna designs and images is copyright protected and owned by European Antennas Limited.
©European Antennas Limited

For further information please contact:

Cobham Antenna Systems, Microwave Antennas
Lambda House, Cheveley,
Newmarket, Suffolk CB8 9RG, UK.
Tel +44 (0)1638 732 177
Fax +44 (0) 1638 731999
Email newmarket.sales@cobham.com