

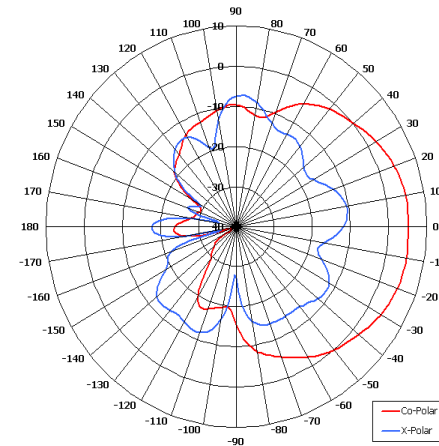
FPA7-2.0DS/1750

COBHAM

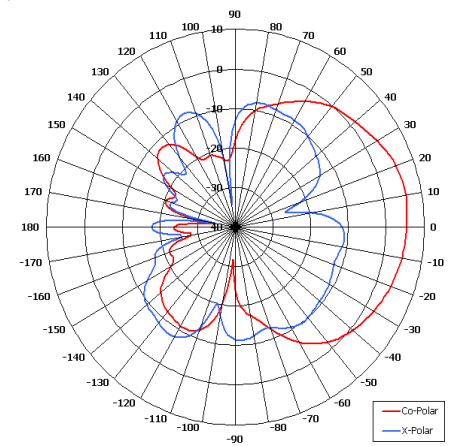
Directional Antenna

The most important thing we build is trust

- Designed for DAS Applications
- Suitable for Indoor Applications
- Dual Slant Polarisation
- Low Profile
- Integrated Cable Options

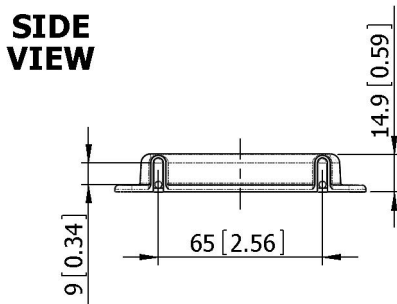


Azimuth Pattern

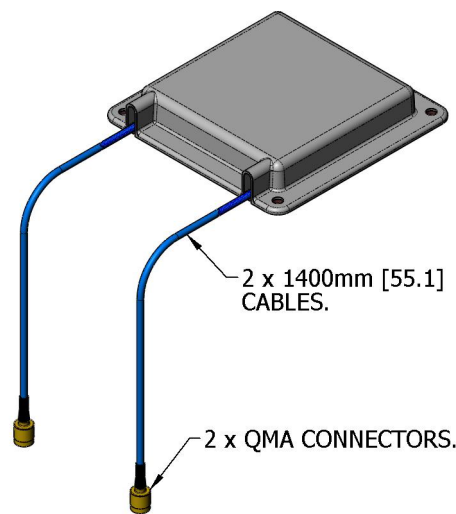
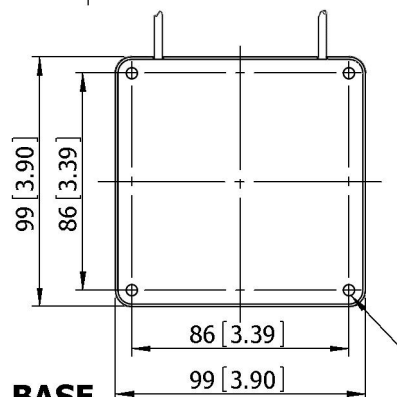


Elevation Pattern

SIDE VIEW



BASE VIEW



MOUNTING VIA
4 x Ø 4.5 HOLES THRO'
ON 86.0 X 86.0 CTRS.

GA: 1750

ELECTRICAL

Frequency	1.920 - 2.175 GHz
Gain	6 dBi Nom
Polarisation	Dual Slant +/- 45°
Beamwidth	65° (Az) x 65° (El) Approx
Cross Polar	>12 dB Typ
VSWR	2:1 Typ
Power Rating	10 W
Front to Back	>24 dB

MECHANICAL

Standard Finish	ABS Radome/Tinned PCB Backplate
Mass	130 g (0.286 lbs)
Temperature	-20° to +50° C
Wind Loading	N/A

MOUNTING OPTIONS

Kits Available	N/A
----------------	-----

See separate data sheets

ADDITIONAL NOTES

Issued 030910

European Antennas Limited trading as Cobham Antenna Systems, Microwave Antennas

European Antennas Limited has a policy of continuous development and stress that the information provided is a guide only and does not constitute an offer or contract or part thereof. Whilst every effort is made to ensure the accuracy of the information contained in this brochure, no responsibility can be accepted for any errors or omissions.

The copyright of antenna designs and images is copyright protected and owned by European Antennas Limited.
©European Antennas Limited

For further information please contact:

Cobham Antenna Systems, Microwave Antennas
Lambda House, Cheveley,
Newmarket, Suffolk CB8 9RG, UK.
Tel +44 (0)1638 732 177
Fax +44 (0) 1638 731999
Email newmarket.sales@cobham.com