

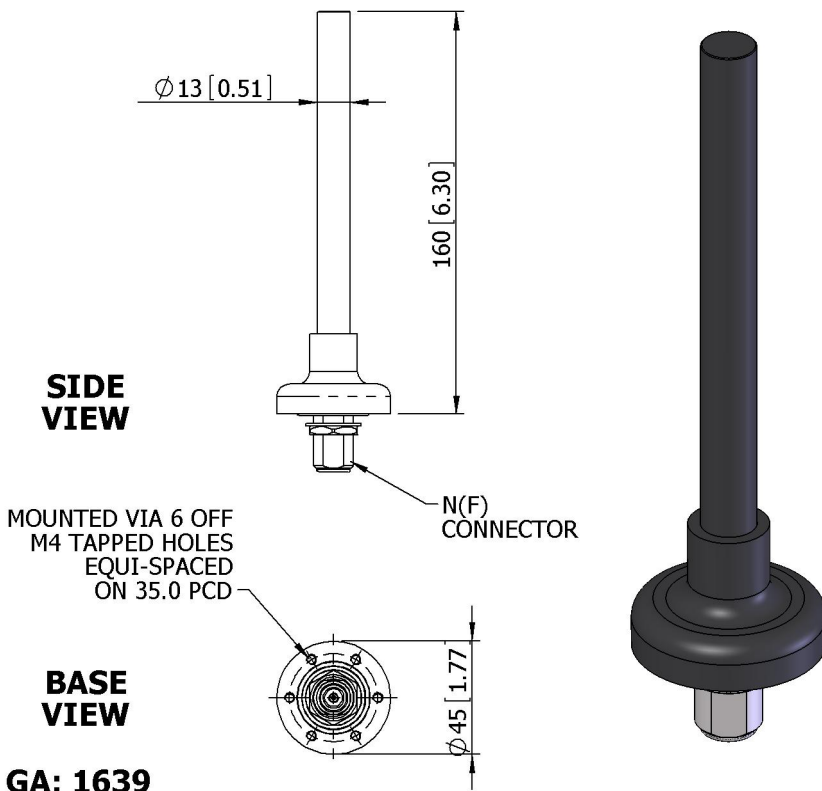
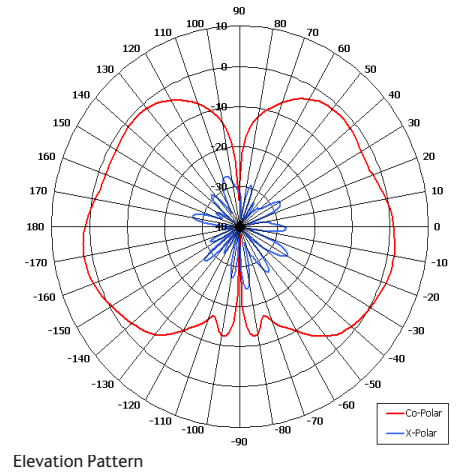
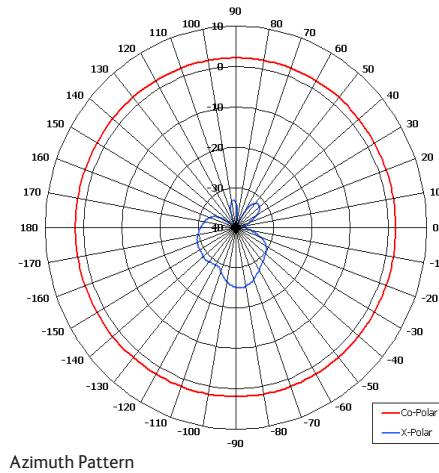
# EVD2-2.3V/1639

**COBHAM**

Omni Antenna

The most important thing we build is trust

- Designed for Unmanned Systems Applications
- Suitable for Airborne Applications
- Suitable for Air to Ground Telemetry Links
- Ground Plane Independent



**ELECTRICAL**

Frequency	2.20 - 2.40 GHz
Gain	2 dBi Nom
Polarisation	Linear (Vertical)
Beamwidth	360° (Az) x 60° (El) Approx
Cross Polar	>20 dB Typ
VSWR	2:1
Power Rating	25 W
Front to Back	N/A
Electrical Tilt	0°

**MECHANICAL**

Standard finish	Matt Black
Mass	110 g (3.88 oz)
Temperature	-40° to +60°C
Wind Loading	422 g (14.89 oz) @ 100mph

**MOUNTING OPTIONS**

Kits available	N/A
See separate data sheets	

**ADDITIONAL NOTES**

Issued 220110

European Antennas Limited trading as Cobham Antenna Systems, Microwave Antennas

European Antennas Limited has a policy of continuous development and stress that the information provided is a guide only and does not constitute an offer or contract or part thereof. Whilst every effort is made to ensure the accuracy of the information contained in this brochure, no responsibility can be accepted for any errors or omissions.

The copyright of antenna designs and images is copyright protected and owned by European Antennas Limited.  
©European Antennas Limited

For further information please contact:

Cobham Antenna Systems, Microwave Antennas  
 Lambda House, Cheveley,  
 Newmarket, Suffolk CB8 9RG, UK.  
 Tel +44 (0)1638 732 177  
 Fax +44 (0) 1638 731999  
 Email newmarket.sales@cobham.com