

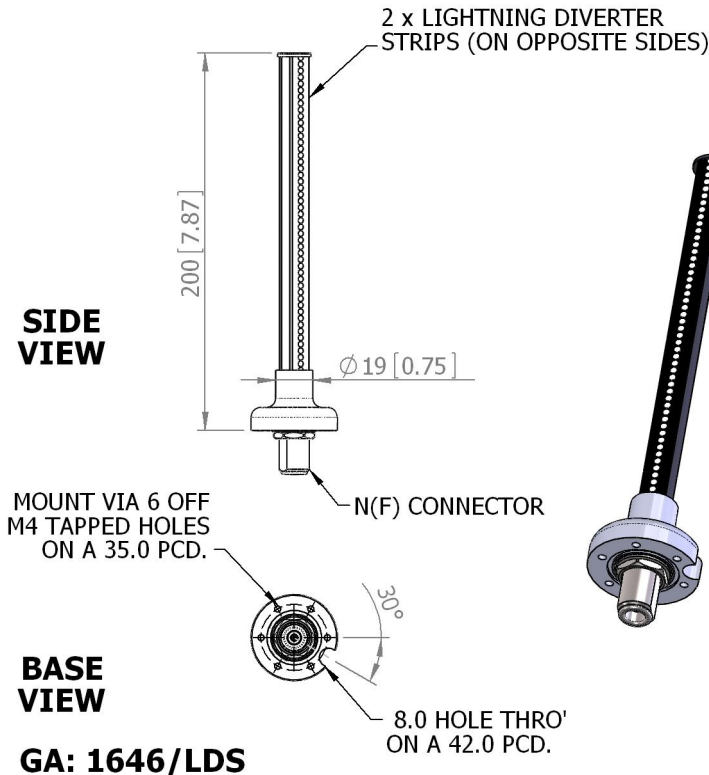
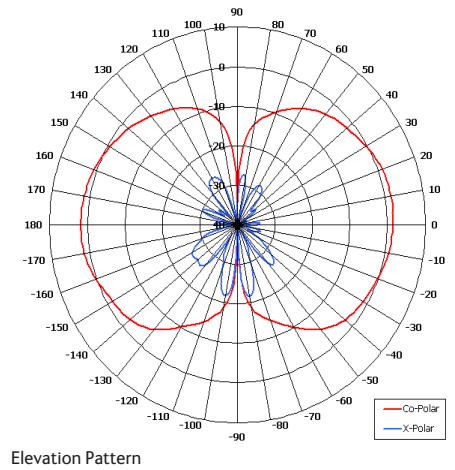
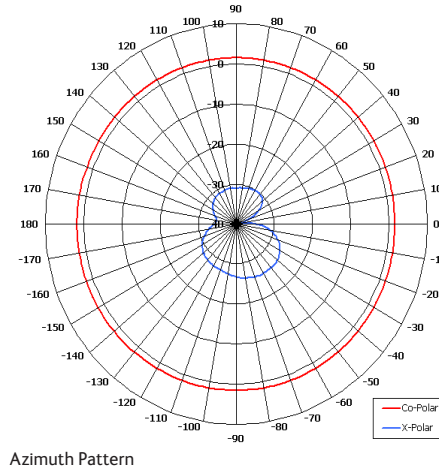
EVD2-1.5V/1646/LDS

COBHAM

Extra Rugged Omni Antenna

The most important thing we build is trust

- Designed for UAV Data Link Applications
- Suitable for Airborne Applications
- Designed for Air to Ground Telemetry Link
- Heavy Duty
- Ground Plane Independent
- Lightning Protection



ELECTRICAL

Frequency	1.400 - 1.525 GHz
Gain	2 dBi Nom
Polarisation	Linear (Vertical)
Beamwidth	360° (Az) x 70° (El) Approx
Cross Polar	20 dB
VSWR	2:1 Typ
Power Rating	10 W
Front to Back	N/A
Electrical Tilt	N/A

MECHANICAL

Standard Finish	Matt Black
Mass	200 g (7.04 oz)
Temperature	-20° to +50°C
Wind Loading	430g (15.2 ozs) @ 100mph

MOUNTING OPTIONS

Kits Available	N/A
See separate data sheets	

ADDITIONAL NOTES

Issued 110310

European Antennas Limited trading as Cobham Antenna Systems, Microwave Antennas

European Antennas Limited has a policy of continuous development and stress that the information provided is a guide only and does not constitute an offer or contract or part thereof. Whilst every effort is made to ensure the accuracy of the information contained in this brochure, no responsibility can be accepted for any errors or omissions.

The copyright of antenna designs and images is copyright protected and owned by European Antennas Limited.
©European Antennas Limited

For further information please contact:

Cobham Antenna Systems, Microwave Antennas
 Lambda House, Cheveley,
 Newmarket, Suffolk CB8 9RG, UK.
 Tel +44 (0)1638 732 177
 Fax +44 (0) 1638 731999
 Email antennasystems.ma@cobham.com