

OMNI ANTENNA OA2-0.4V/1604

ELECTRICAL

FREQUENCY:	380 - 400 MHz
GAIN:	2.0 dBi Nom.
POLARISATION:	Linear (Vertical)
BEAMWIDTH:	360° (Az) x 75° (El) Approx.
CROSS POLAR:	>10 dB Typ.
VSWR:	2:1
POWER RATING:	25 W
FRONT TO BACK:	-
ELECTRICAL TILT:	0°

MECHANICAL

STANDARD FINISH:	Gloss White
MASS:	365 g / 12.8 ozs
TEMPERATURE:	-40° to +60°C
WIND LOADING:	3.8 kg / 8.35 lbs @ 100 mph

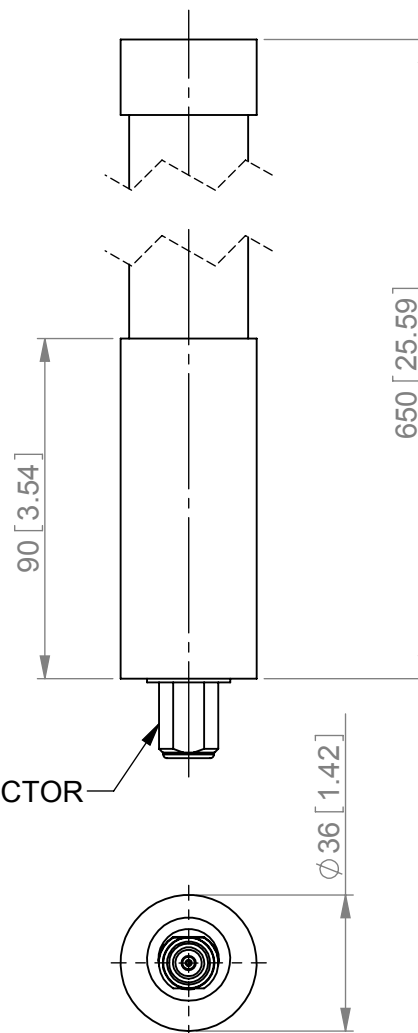
MOUNTING OPTIONS

KITS AVAILABLE: MK4/A

See Separate Data Sheets

GA: 1604-1 Issued: 270409
DIMENSIONS: mm [inches]

SIDE VIEW



BASE VIEW

ISOMETRIC VIEW



OA2-0.4V/1604

European Antennas Ltd. has a policy of continuous development and therefore stress that the data contained on this sheet should be used for guidance only.

European Antennas Ltd is part of Cobham Defence Electronic Systems



Certificate No 9263

European Antennas Ltd
Lambda House, Cheveley
Newmarket, Suffolk, CB8 9RG, UK
Tel: +44 (0)1638 731888
sales@european-antennas.co.uk
www.european-antennas.co.uk