

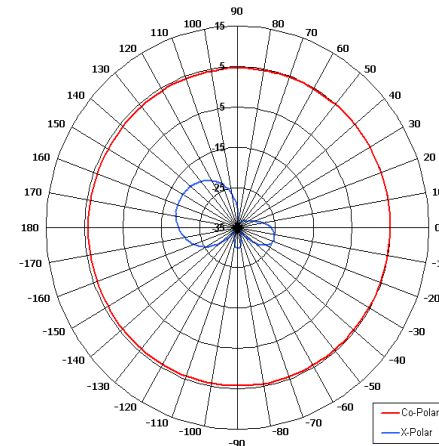
# XV04-960-1215/1425

**COBHAM**

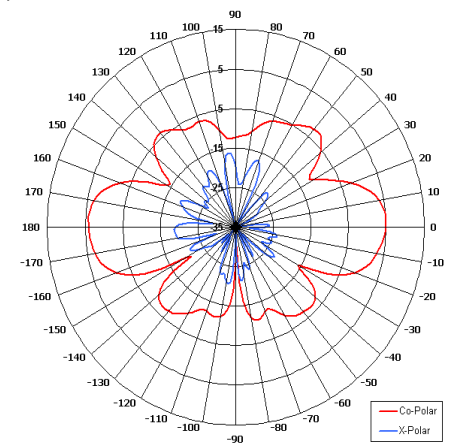
## Link 16 Omni Antenna

The most important thing we build is trust

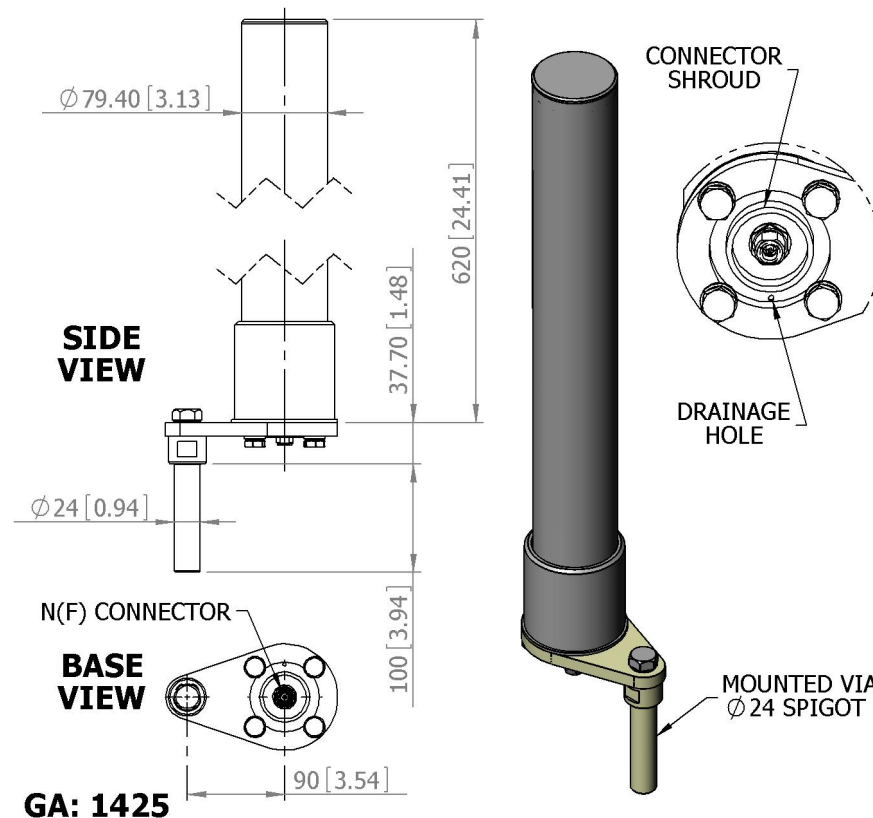
- Designed for LINK16 Applications
- Wide Band
- Low Azimuth Ripple
- Suitable for Mobile Applications
- Suitable for Ground Based Applications
- Rugged



Azimuth Pattern



Elevation Pattern



### ELECTRICAL

Frequency	960 - 1215 MHz
Gain	4.5 dBi Typ
Polarisation	Linear (Vertical)
Beamwidth	360° (Az) x 33° (El) Typ
Cross Polar	>20 dB Typ
VSWR	2:1 max, <1.5:1 Typ
Power Rating	200W @ 50% Duty
Impedance	50 Ohms
D C Grounding	D C Grounded

### MECHANICAL

Standard Finish	Gloss Grey (RAL 7001)
Mass	2.2 Kg (4.84 lbs)
Temperature	-40° to +50°C
Wind Loading	8.2 Kg(18 lbs) @ 100mph
Ice Load	25mm all over @ 100 mph max

### MOUNTING OPTIONS

Kits Available	N/A
----------------	-----

See separate data sheets

### ADDITIONAL NOTES

Issued 151010

European Antennas Limited trading as Cobham Antenna Systems, Microwave Antennas

European Antennas Limited has a policy of continuous development and stress that the information provided is a guide only and does not constitute an offer or contract or part thereof. Whilst every effort is made to ensure the accuracy of the information contained in this brochure, no responsibility can be accepted for any errors or omissions.

The copyright of antenna designs and images is copyright protected and owned by European Antennas Limited.  
©European Antennas Limited

For further information please contact:

Cobham Antenna Systems, Microwave Antennas  
Lambda House, Cheveley,  
Newmarket, Suffolk CB8 9RG, UK.  
Tel +44 (0)1638 732 177  
Fax +44 (0) 1638 731999  
Email newmarket.sales@cobham.com