

# SA13-60-0.9V/1462

**COBHAM**

Sector Antenna

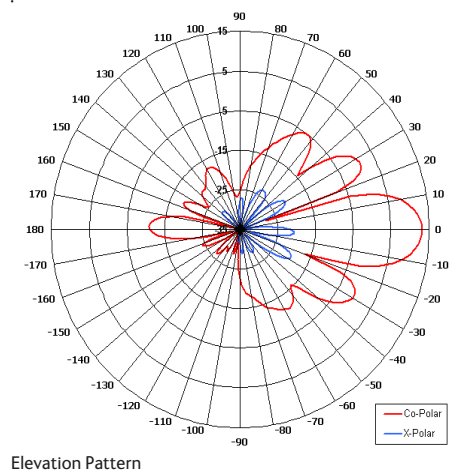
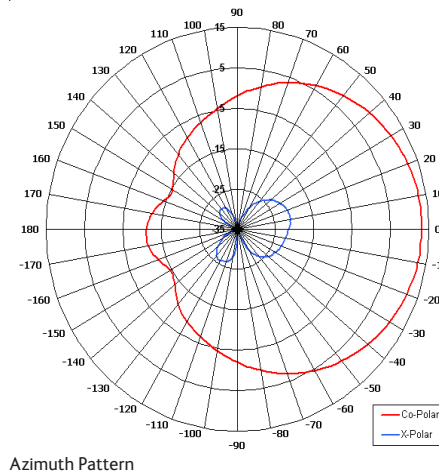
The most important thing we build is trust

Designed for Military Applications

Suitable for Tactical Comms Applications

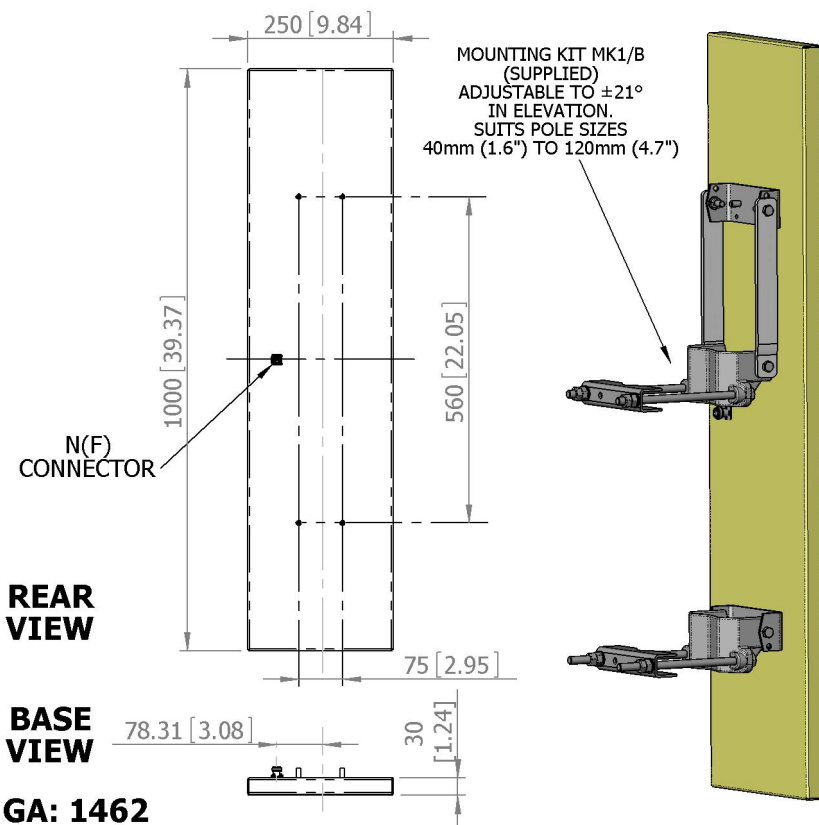
Low Profile

Adjustable Mounting Kit



Azimuth Pattern

Elevation Pattern



## ELECTRICAL

Frequency	902 - 928 MHz
Gain	13.0 dBi Typ
Polarisation	Linear (Vertical)
Beamwidth	73° (Az) x 16.5° (El) Approx
Cross Polar	>30 dB
VSWR	2:1 max, >1.5:1 Typical
Power Rating	20W
Front to Back	>22dB

## MECHANICAL

Standard Finish	Gloss White Radome
Mass	3.6 Kg (7.92 lbs)
Temperature	-40° to +63°C
Wind Loading	40 Kg (89 lbs) @ 100mph

## MOUNTING OPTIONS

Kits available	MK1/B (Supplied)
See separate data sheets	

## ADDITIONAL NOTES

Issued 200810

European Antennas Limited trading as Cobham Antenna Systems, Microwave Antennas

European Antennas Limited has a policy of continuous development and stress that the information provided is a guide only and does not constitute an offer or contract or part thereof. Whilst every effort is made to ensure the accuracy of the information contained in this brochure, no responsibility can be accepted for any errors or omissions.

The copyright of antenna designs and images is copyright protected and owned by European Antennas Limited.  
©European Antennas Limited

For further information please contact:

Cobham Antenna Systems, Microwave Antennas  
Lambda House, Cheveley,  
Newmarket, Suffolk CB8 9RG, UK.  
Tel +44 (0)1638 732 177  
Fax +44 (0) 1638 731999  
Email newmarket.sales@cobham.com