

SA17-60-2.3R/1461

COBHAM

Sector Antenna

The most important thing we build is trust

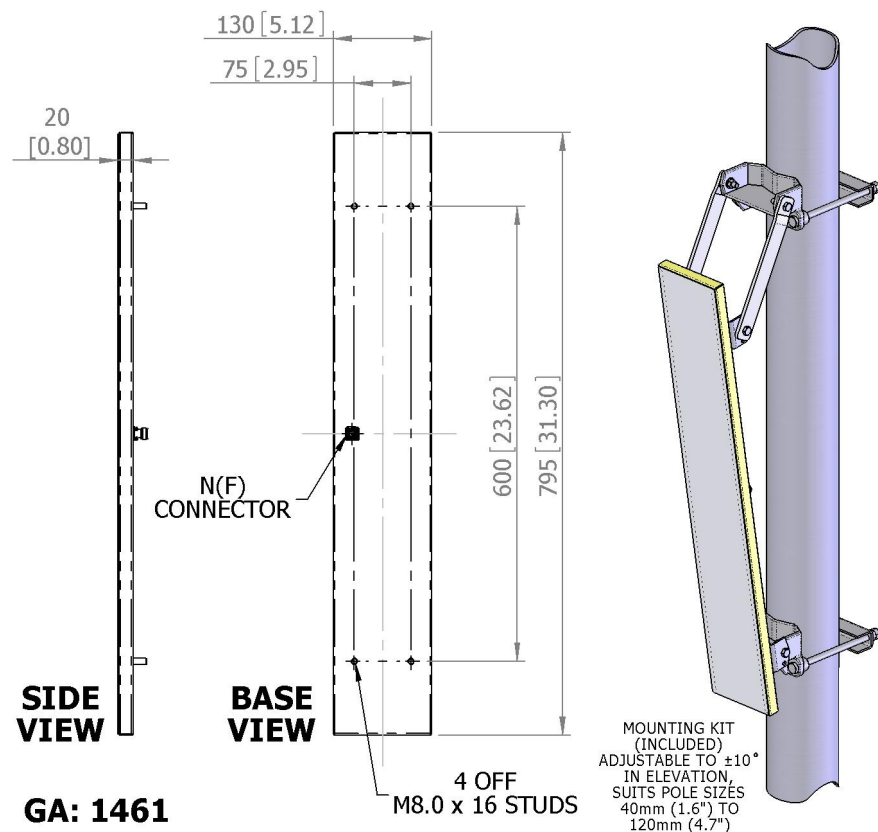
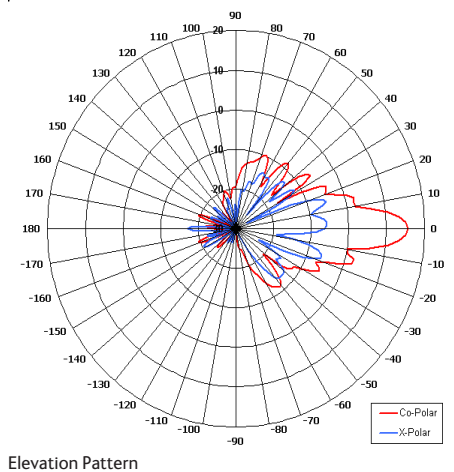
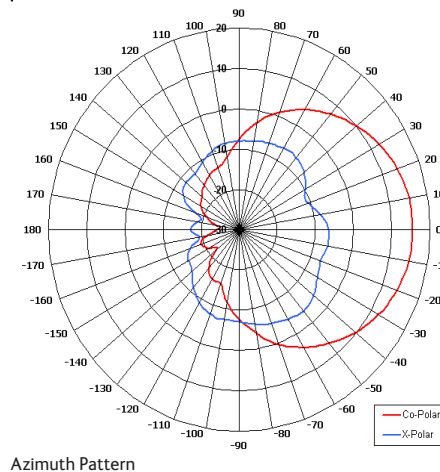
Designed for WiMAX/LTE Applications

Suitable for Multiple Applications

High Gain

Low Profile

Adjustable Mounting Kit



ELECTRICAL

Frequency	2.20 - 2.40 GHz
Gain	15.5 dBIC Typ
Polarisation	Right Hand Circular
Beamwidth	57° (Az) x 10° (El) Approx
Cross Polar	<3.0 dB Typ
VSWR	1.5:1
Power Rating	50 W
Front to Back	>30 dB
Temperature	-30°C to +70° Non-Operational -20°C to +50° C Operational

MECHANICAL

Standard Finish	Gloss White, Alocrom Housing
Mass	1.2 Kg (2.75 lbs) excl MK
Wind Loading	16.8 Kg(36.9lbs) @ 100mph

MOUNTING OPTIONS

Kits Available	MK1/A (included)
----------------	------------------

See separate data sheets

ADDITIONAL NOTES

Issued 200810

European Antennas Limited trading as Cobham Antenna Systems, Microwave Antennas

European Antennas Limited has a policy of continuous development and stress that the information provided is a guide only and does not constitute an offer or contract or part thereof. Whilst every effort is made to ensure the accuracy of the information contained in this brochure, no responsibility can be accepted for any errors or omissions.

The copyright of antenna designs and images is copyright protected and owned by European Antennas Limited.
©European Antennas Limited

For further information please contact:

Cobham Antenna Systems, Microwave Antennas

Lambda House, Cheveley,

Newmarket, Suffolk CB8 9RG, UK.

Tel +44 (0)1638 732 177

Fax +44 (0) 1638 731999

Email newmarket.sales@cobham.com