

HOA2-159L-GPS/1548



Hemi Omni Satellite Antenna

The most important thing we build is trust

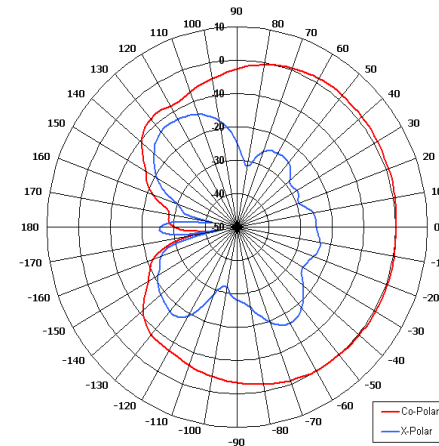
Designed for Satellite Applications

Pattern - Hemi Omni

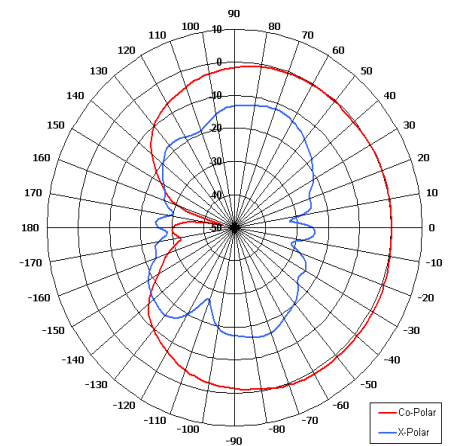
Suitable for Thuraya Satellite Network

Integrated Active GPS Antenna

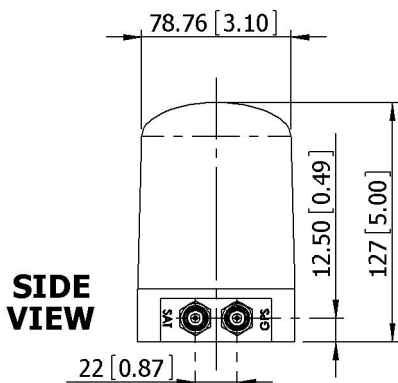
Base Mount Connector Options



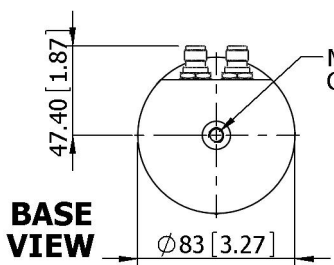
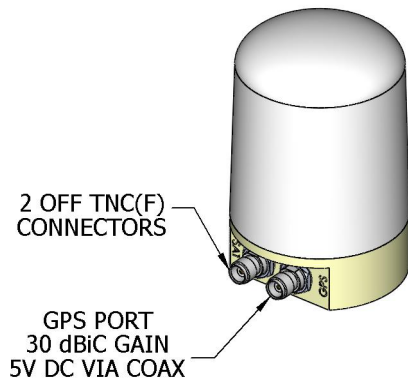
Azimuth Pattern



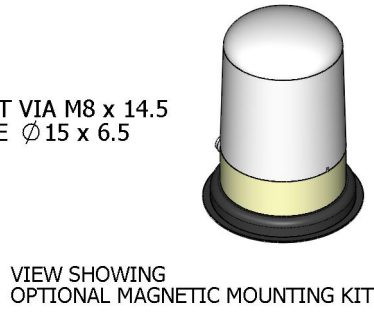
Elevation Pattern



SIDE VIEW



BASE VIEW



NOTE: THE INSTALLATION OF THIS KIT ON MOVING VEHICLES IS AT THE USERS RISK, AS EUROPEAN ANTENNAS CANNOT BE RESPONSIBLE FOR THE MOUNTING ENVIRONMENT.

GA: 1548

ELECTRICAL

Frequency	1.525 - 1.6605 GHz
Gain	2 - 4 dBiC Nom
Polarisation	Left Hand Circular
Beamwidth	360° (Az) x 160° (El) Approx
Axial Ratio	2.5 dB Typ
VSWR	2:1
Power Rating	20 W
Front to Back	N/A

MECHANICAL

Standard Finish	White Plastic Radome
Mass	400g/0.88lbs Approx
Temperature	-40° to +70°C
Wind Loading	1.34Kg/2.96lbs at 100mph

MOUNTING OPTIONS

Kits Available	047A
See separate data sheets	

ADDITIONAL NOTES

Issued 110310

European Antennas Limited trading as Cobham Antenna Systems, Microwave Antennas

European Antennas Limited has a policy of continuous development and stress that the information provided is a guide only and does not constitute an offer or contract or part thereof. Whilst every effort is made to ensure the accuracy of the information contained in this brochure, no responsibility can be accepted for any errors or omissions.

The copyright of antenna designs and images is copyright protected and owned by European Antennas Limited.
©European Antennas Limited

For further information please contact:

Cobham Antenna Systems, Microwave Antennas
Lambda House, Cheveley,
Newmarket, Suffolk CB8 9RG, UK.
Tel +44 (0)1638 732 177
Fax +44 (0) 1638 731999
Email newmarket.sales@cobham.com