

SVD2-2.3V/1588

COBHAM

Omni Antenna

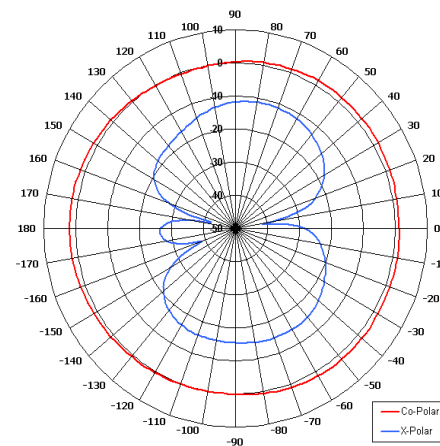
The most important thing we build is trust

Designed for Security Applications

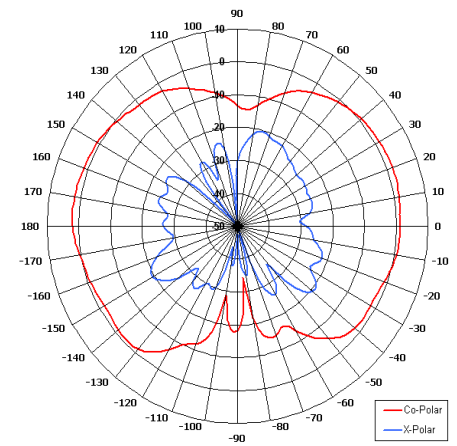
Suitable for Mobile Applications

Suitable for WLAN Applications

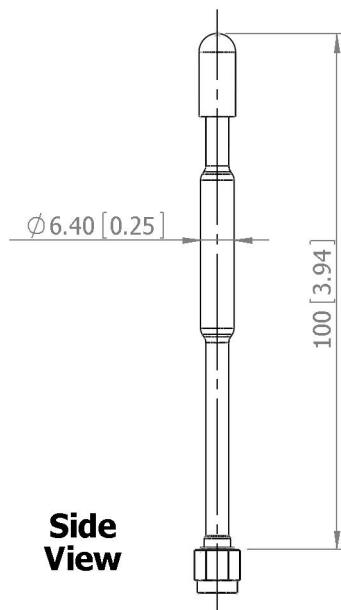
Lightweight



Azimuth Pattern

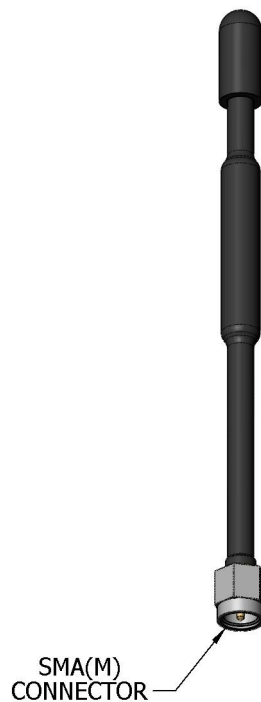


Elevation Pattern



Side View

Base View



ELECTRICAL

Frequency	2.25 - 2.50 GHz
Gain	2 dBi Nom
Polarisation	Linear (Vertical)
Beamwidth	360° (Az) x 80° (El) Approx
Cross Polar	15 - 20 dB Typ
VSWR	2:1 Typ (2.32:1 Max)
Power Rating	5W
Front to Back	N/A

MECHANICAL

Standard Finish	Matt Black
Mass	50 g/1.7ozs
Temperature	-20° to +50°C
Wind Loading	N/A

MOUNTING OPTIONS

Kits Available	N/A
----------------	-----

See separate data sheets

ADDITIONAL NOTES

GA: 1588

European Antennas Limited trading as Cobham Antenna Systems, Microwave Antennas

European Antennas Limited has a policy of continuous development and stress that the information provided is a guide only and does not constitute an offer or contract or part thereof. Whilst every effort is made to ensure the accuracy of the information contained in this brochure, no responsibility can be accepted for any errors or omissions.

The copyright of antenna designs and images is copyright protected and owned by European Antennas Limited.
©European Antennas Limited

Issued 180310

For further information please contact:

Cobham Antenna Systems, Microwave Antennas
Lambda House, Cheveley,
Newmarket, Suffolk CB8 9RG, UK.
Tel +44 (0)1638 732 177
Fax +44 (0) 1638 731999
Email newmarket.sales@cobham.com