

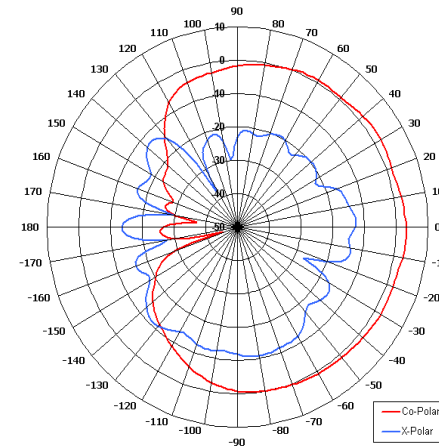
HOA2-159L-GPS/1577



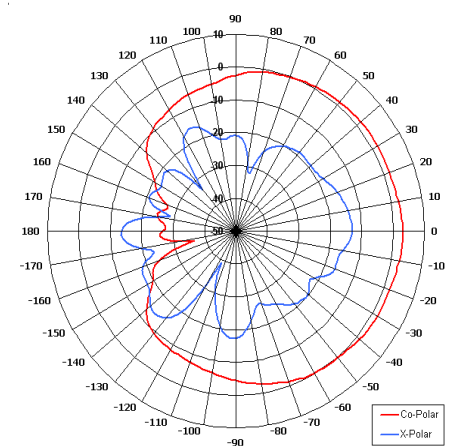
Hemi Omni Antenna

The most important thing we build is trust

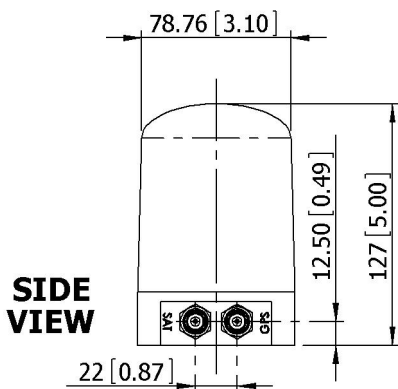
- Designed for satellite applications
- Suitable for Thuraya satellite network
- Suitable for mobile satcomms
- Integrated passive GPS antenna



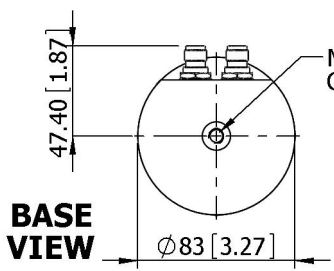
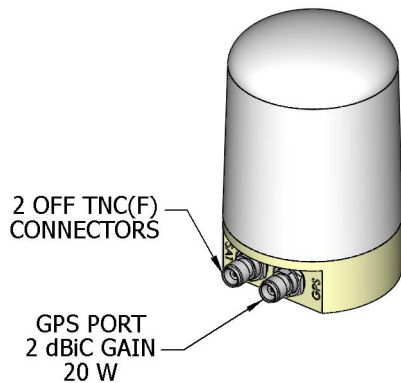
Azimuth Pattern



Elevation Pattern

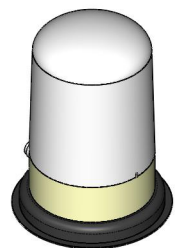


SIDE VIEW



BASE VIEW

MOUNT VIA M8 x 14.5
C'BORE \varnothing 15 x 6.5



VIEW SHOWING
OPTIONAL MAGNETIC MOUNTING KIT

NOTE: THE INSTALLATION OF THIS KIT ON MOVING VEHICLES IS AT THE USERS RISK, AS EUROPEAN ANTENNAS CANNOT BE RESPONSIBLE FOR THE MOUNTING ENVIRONMENT.

GA: 1577

ELECTRICAL (Satellite)

Frequency	1.525 - 1.6605 GHz
Gain	2 dBiC Nom
Polarisation	Left Hand Circular
Beamwidth	360° (Az) x 150° (El) Approx
Axial Ratio	3.0 dB Typ
VSWR	2:1
Power Rating	20W
Front to Back	N/A

MECHANICAL

Standard Finish	White Plastic Radome
Mass	400g/0.88 lbs Approx
Temperature	-40° to +70°C
Wind Loading	1.3kg/2.96 lbs @ 100mph

MOUNTING OPTIONS

Kits Available	047A
----------------	------

See separate data sheets

ADDITIONAL NOTES

Issued 180310

European Antennas Limited trading as Cobham Antenna Systems, Microwave Antennas

European Antennas Limited has a policy of continuous development and stress that the information provided is a guide only and does not constitute an offer or contract or part thereof. Whilst every effort is made to ensure the accuracy of the information contained in this brochure, no responsibility can be accepted for any errors or omissions.

The copyright of antenna designs and images is copyright protected and owned by European Antennas Limited.
©European Antennas Limited

For further information please contact:

Cobham Antenna Systems, Microwave Antennas
Lambda House, Cheveley,
Newmarket, Suffolk CB8 9RG, UK.
Tel +44 (0)1638 732 177
Fax +44 (0) 1638 731999
Email newmarket.sales@cobham.com