

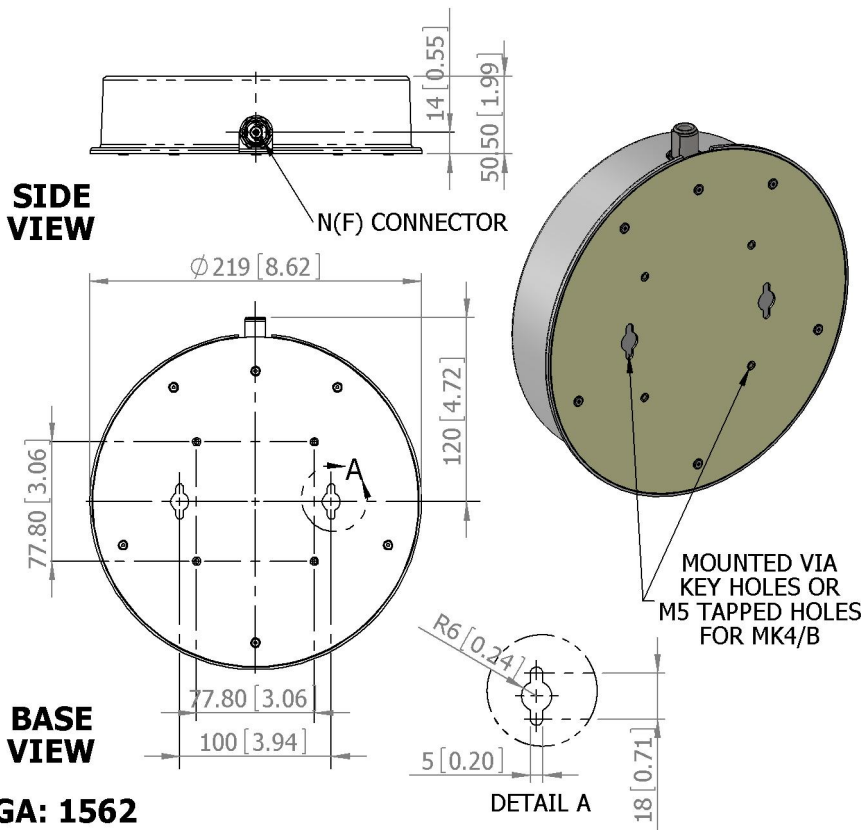
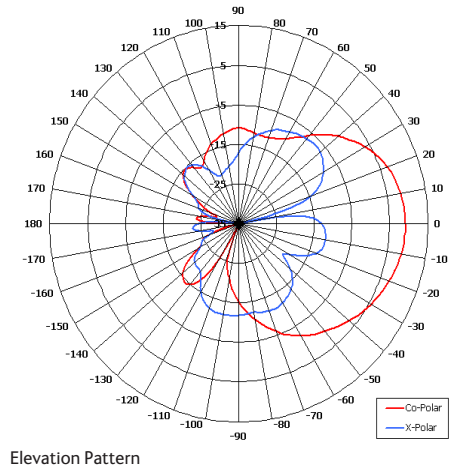
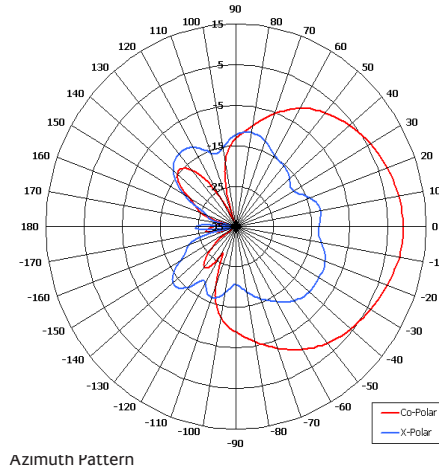
# FPA-0.6-6.0R/1562



## Directional Antenna

The most important thing we build is trust

- Designed for DAS Applications
- Ultra Wideband
- Suitable for Indoor Applications
- Lightweight
- Right Hand Circular Polarised



### ANTENNA SPECIFICATION

Frequency	0.60 - 6.00 GHz
Gain	See Sheet 2
Polarisation	Right Hand Circular
Beamwidth	See Sheet 2
Axial Ratio	See Sheet 2
VSWR	<2:1 Typ 2.2:1 Worst Case
Power Rating	25 W

### MECHANICAL

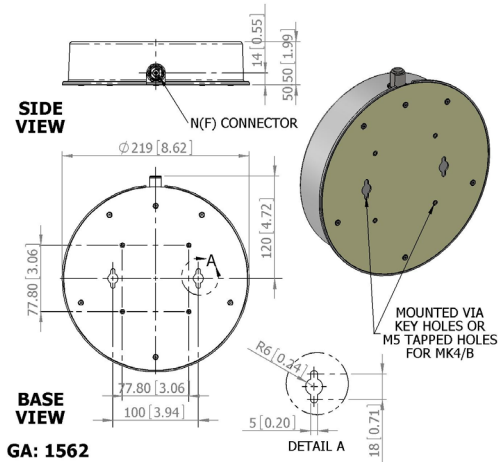
Standard Finish	Satin White
Mass	420g (1.14 lbs)
Temperature	-20 ° to +50 °C
Wind Loading	6.16 Kg (13.57 lbs) @ 100 mph

# FPA-0.6-6.0R/1562



## Directional Antenna

The most important thing we build is trust



FREQUENCY	0.6 - 1.0 GHz	1.0 - 2.0 GHz	2.0 - 4.0 GHz	4.0 - 6.0 GHz
GAIN	-1.0 0 3.6 dBiC	2.2 - 8.2 dBiC	8.2 - 9.9 dBiC	7.1 - 8.7 dBiC
	1.9 dBiC Typ	5.5 dBiC Typ	9.1 dBiC Typ	7.8 dBiC Typ
AXIAL RATIO	11.1 - 3.5 dB	0.4 - 5.3 dB	0.5 - 1.7 dB	0.2 - 1.7 dB
	7.8 db Typ	2.5 dB Typ	0.9 dB Typ	0.9 dB Typ
AZIMUTH HPBW	60.4 - 85.3 °	45.1 - 87.9°	43.2 - 88.0°	68.0 - 103.9°
	72 ° Typ	62° Typ	66 ° Typ	89 ° Typ
ELEVATION HPBW	56.9 - 79.7 °	56.9 - 84.7°	49.5 - 74.7°	73.3 - 101.6°
	69° Typ	65° Typ	61° Typ	88° Typ

Sheet 2 of 2

Issued 210111

European Antennas Limited trading as Cobham Antenna Systems, Microwave Antennas

European Antennas Limited has a policy of continuous development and stress that the information provided is a guide only and does not constitute an offer or contract or part thereof. Whilst every effort is made to ensure the accuracy of the information contained in this brochure, no responsibility can be accepted for any errors or omissions.

The copyright of antenna designs and images is copyright protected and owned by European Antennas Limited.  
©European Antennas Limited

For further information please contact:

Cobham Antenna Systems, Microwave Antennas

Lambda House, Cheveley,  
Newmarket, Suffolk CB8 9RG, UK.

Tel +44 (0)1638 732 177

Fax +44 (0) 1638 731999

Email [newmarket.sales@cobham.com](mailto:newmarket.sales@cobham.com)