

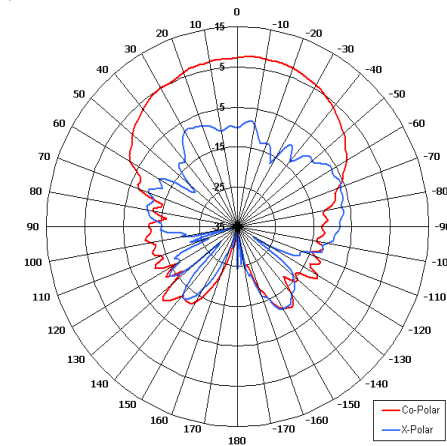
MSA6-4.7V/1484

COBHAM

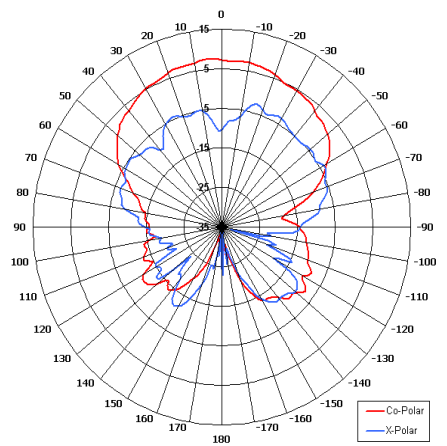
Multi Sector Antenna

The most important thing we build is trust

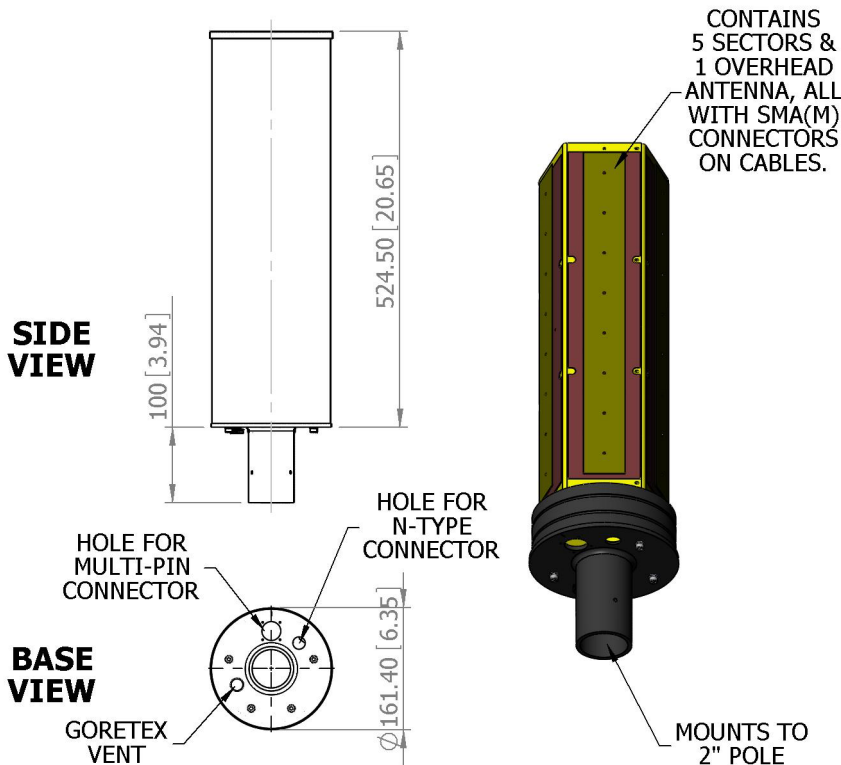
- Designed for Air to Ground Telemetry Link
- Suitable for Security Application
- Azimuth Coverage - 5 Sectors
- Overhead Coverage - RHC Element
- Provides Internal Mounting for Electronics



Azimuth Pattern



Elevation Pattern



CONTAINS 5 SECTORS & 1 OVERHEAD ANTENNA, ALL WITH SMA(M) CONNECTORS ON CABLES.

ELECTRICAL

Frequency	4.40 - 5.00 GHz
Gain	15.0 dBi Typ (Sectors), 8.0 dBiC Typ (Overhead)
Polarisation	Linear - Vertical (Sectors), RHC, (Overhead)
Beamwidth	70° (Az) x 8° (El) Approx (Sectors) 70° (Az) x 65° (El) Approx (Overhead)
Cross Polar/Axial Ratio	>20 dB Typ (Sectors), 3 dB Typ (Overhead)
VSWR	2:1 Max, <1.5:1 Typ
Power Rating	10 W
Front to Back	>30 dB

MECHANICAL

Standard Finish	Gloss White Radome, Black Anodised Base
Mass	3.5 Kg (7.7 lbs)
Temperature	-20° to +50°C
Wind Loading	13.5 Kg (29.7 lbs) @ 100 mph

MOUNTING OPTIONS

Kits Available	N/A
See separate data sheets	

ADDITIONAL NOTES

Issued 041110

For further information please contact:

Cobham Antenna Systems, Microwave Antennas
 Lambda House, Cheveley,
 Newmarket, Suffolk CB8 9RG, UK.
 Tel +44 (0)1638 732 177
 Fax +44 (0) 1638 731999
 Email antennasystems.ma@cobham.com

European Antennas Limited trading as Cobham Antenna Systems, Microwave Antennas

European Antennas Limited has a policy of continuous development and stress that the information provided is a guide only and does not constitute an offer or contract or part thereof. Whilst every effort is made to ensure the accuracy of the information contained in this brochure, no responsibility can be accepted for any errors or omissions.

The copyright of antenna designs and images is copyright protected and owned by European Antennas Limited.
 ©European Antennas Limited