

EVD2-3.5/1433

COBHAM

Extra Rugged Dipole Antenna

The most important thing we build is trust

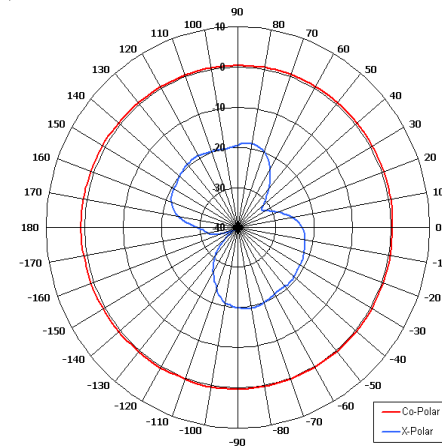
Suitable for Airborne Applications

Designed for UAV Datalink Applications

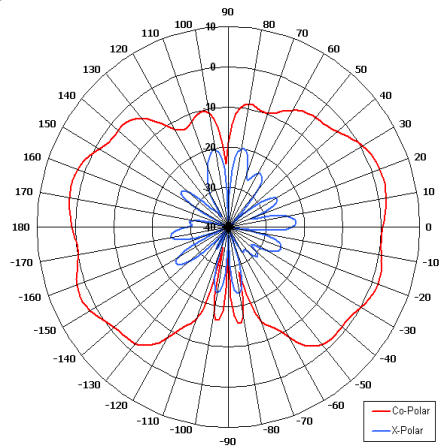
Designed for Air to Ground Telemetry Link

Heavy Duty Design

Ground Plane Independent

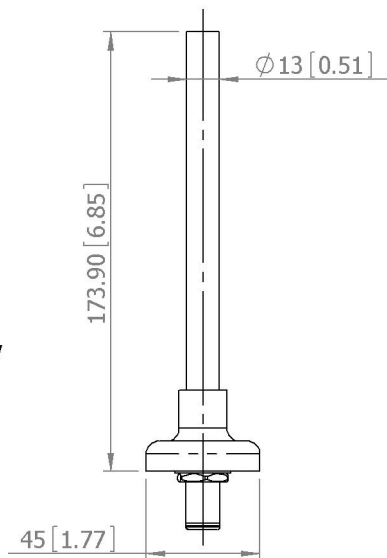


Azimuth Pattern

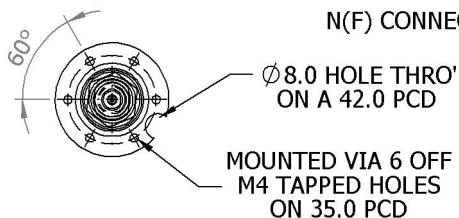


Elevation Pattern

Side View



Base View



GA: 1433



N(F) CONNECTOR

ELECTRICAL

Frequency	3.40 - 3.50 GHz
Gain	2 dBi Nom
Polarisation	Linear (vertical)
Beamwidth	360° (Az) x 80° (El)
Cross Polar	15 - 20 dB Typical
VSWR	2:1 Typ
Power Rating	20 W
Front to Back	N/A

MECHANICAL

Standard Finish	Matt Black
Mass	210g (7.5 oz)
Temperature	-20° to +50°C
Wind Loading	560g(1.03lbs) @ 100mph

MOUNTING OPTIONS

Kits Available	N/A
See separate data sheets	

ADDITIONAL NOTES

Issued 260210

European Antennas Limited trading as Cobham Antenna Systems, Microwave Antennas

European Antennas Limited has a policy of continuous development and stress that the information provided is a guide only and does not constitute an offer or contract or part thereof. Whilst every effort is made to ensure the accuracy of the information contained in this brochure, no responsibility can be accepted for any errors or omissions.

The copyright of antenna designs and images is copyright protected and owned by European Antennas Limited.
©European Antennas Limited

For further information please contact:

Cobham Antenna Systems, Microwave Antennas
Lambda House, Cheveley,
Newmarket, Suffolk CB8 9RG, UK.
Tel +44 (0)1638 732 177
Fax +44 (0) 1638 731999
Email antennasystems.ma@cobham.com