

FLAT PANEL ANTENNA FPA8-1.6RL/1563



ELECTRICAL

FREQUENCY:	1.525 - 1.6605 GHz
GAIN:	7.25 dBiC Nom.
POLARISATION:	RHC & LHC
BEAMWIDTH:	67° (Az) x 65° (El) Approx.
AXIAL RATIO:	<3.0 dB
VSWR:	<1.5:1
POWER:	10W
FRONT TO BACK:	>15 dB

MECHANICAL

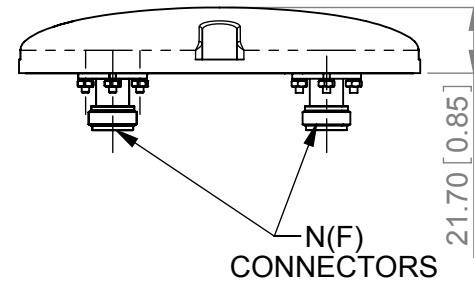
STANDARD FINISH:	Gloss White
MASS:	190g / 6.7 oz
TEMPERATURE:	-40° to +60°C
WIND LOADING:	0.75 Kg / 1.65 lbs @ 100 mph (side on)

MOUNTING OPTIONS

KITS AVAILABLE: 159A

GA: 1563-1 Issued: 061108
DIMENSIONS: mm [inches]

SIDE VIEW

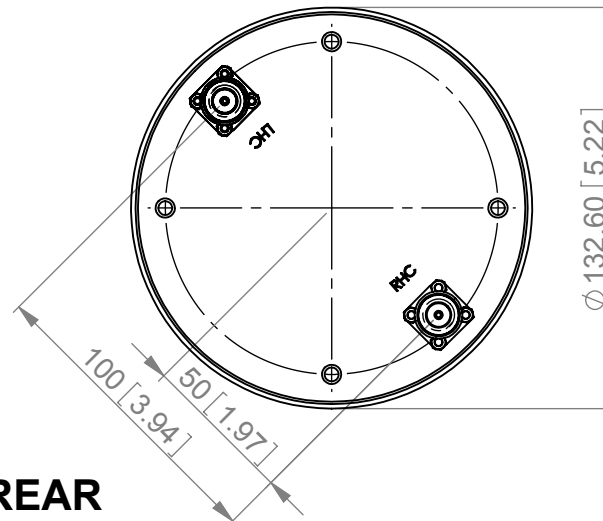


ISOMETRIC VIEW



MOUNTED VIA 4 OFF
4.5 [0.18] HOLES
EQUI-SPACED ON
110 [4.33] PCD

REAR VIEW



FPA8-1.6RL/1563

European Antennas Ltd. has a policy of continuous development and therefore stress that the data contained on this sheet should be used for guidance only.

European Antennas Ltd. is part of the Cobham Antennas Division



Certificate No 9268

European Antennas Ltd
Lambda House, Cheveley
Newmarket, Suffolk, CB8 9RG, UK
Tel: +44 (0)1638 731888
sales@european-antennas.co.uk
www.european-antennas.co.uk