

# OMNI ANTENNA OA4-1.4V/1451



## ELECTRICAL

FREQUENCY:	1.36 - 1.55 GHz
GAIN:	5 dBi Nom.
POLARISATION:	Linear (Vertical)
BEAMWIDTH:	360° (Az) x 40° (El) Approx.
CROSS POLAR:	>25 dB
VSWR:	1.5:1 Typ., 2:1 Max.
POWER RATING:	10 W
FRONT TO BACK:	N/A

## MECHANICAL

STANDARD FINISH:	Matt Black
MASS:	600 g / 1.32 lbs
TEMPERATURE:	-50° to +50°C
WIND LOADING:	3.3 kg / 7.3 lbs @ 100 mph

## MOUNTING OPTIONS

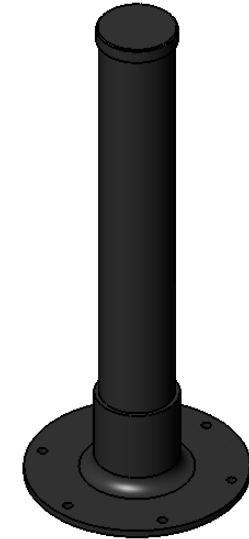
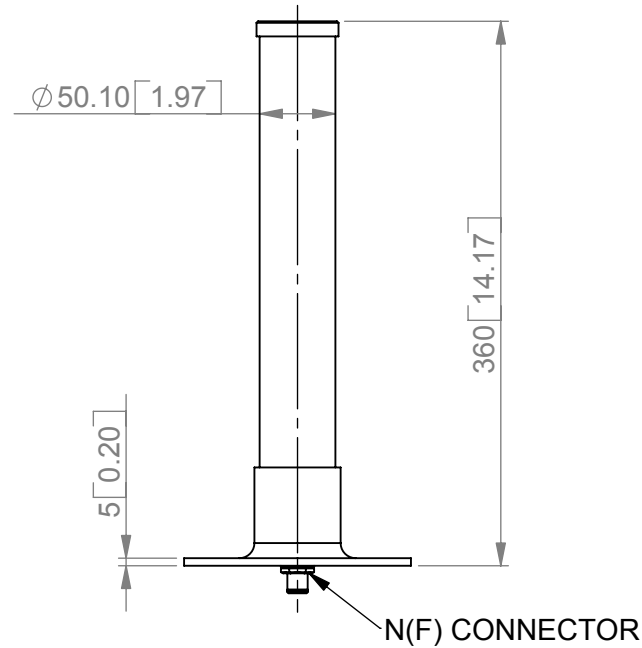
KITS AVAILABLE: N/A

See Separate Data Sheets

GA: 1451-3 Issued: 101207

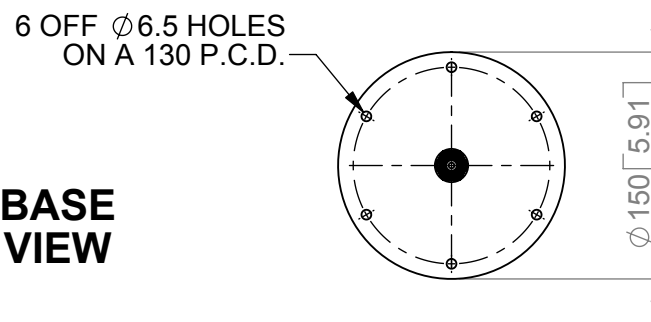
DIMENSIONS: mm [inches]

**SIDE VIEW**



**ISOMETRIC VIEW**

**BASE VIEW**



OA4-1.4V/1451

European Antennas Ltd. has a policy of continuous development and therefore stress that the data contained on this sheet should be used for guidance only.

European Antennas Ltd. is part of the Cobham Antennas Division

**COBHAM** Antennas



Certificate No 9268

European Antennas Ltd  
Lambda House, Cheveley  
Newmarket, Suffolk, CB8 9RG, UK  
Tel: +44 (0)1638 731888  
sales@european-antennas.co.uk  
[www.european-antennas.co.uk](http://www.european-antennas.co.uk)