

SECTOR ANTENNA SA13-60-1.03V/1416



ELECTRICAL

FREQUENCY:	1030 ± 25 MHz
GAIN:	13.4 dBi
POLARISATION:	Linear (Vertical)
BEAMWIDTH:	76° (Az) x 18° (El)
CROSS POLAR:	>20 dB
VSWR:	<1.5:1
POWER RATING:	500 W @ 0.01% Duty
FRONT TO BACK:	>30 dB
ELECTRICAL TILT:	12.3° UP

MECHANICAL

STANDARD FINISH:	Gloss White
MASS:	2.23 Kg / 4.9 lbs
TEMPERATURE:	-51° to +49°C
WIND LOADING:	30.6 Kg / 67.4 lbs @ 100 mph

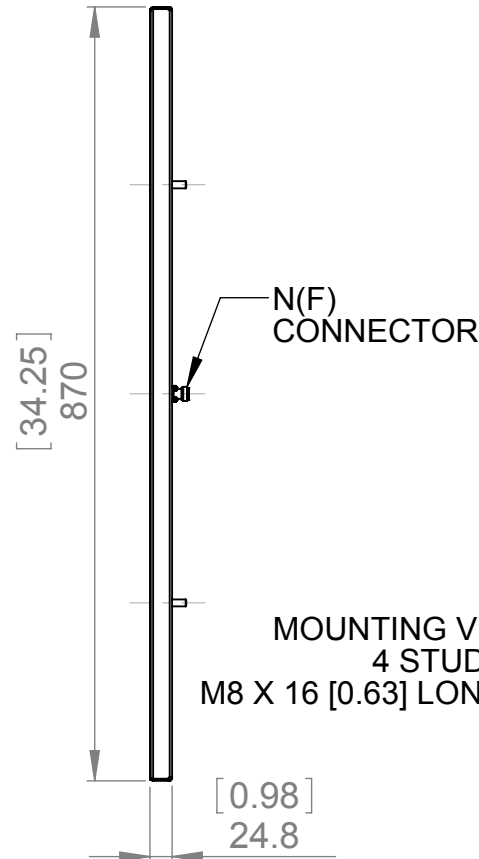
MOUNTING OPTIONS

KITS AVAILABLE:

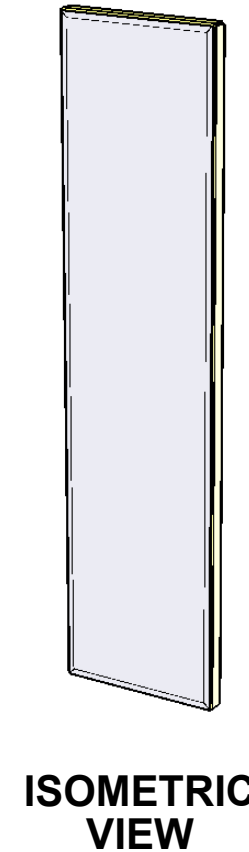
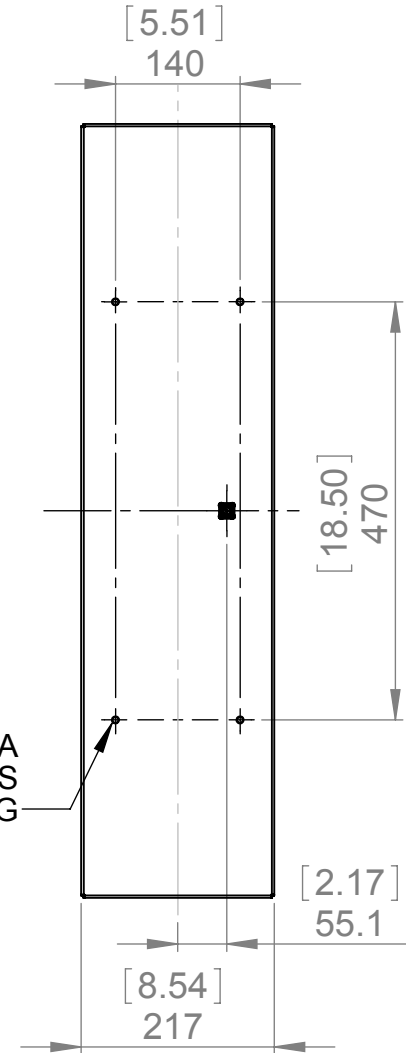
See Separate Data Sheets

GA: 1416-2 Issued: 290108
DIMENSIONS: mm [inches] M

SIDE VIEW



REAR VIEW



SA13-60-1.03V/1416

European Antennas Ltd. has a policy of continuous development and therefore stress that the data contained on this sheet should be used for guidance only.

European Antennas Ltd. is part of the Cobham Antennas Division



Certificate No 9268

European Antennas Ltd
Lambda House, Cheveley
Newmarket, Suffolk, CB8 9RG, UK
Tel: +44 (0)1638 731888
sales@european-antennas.co.uk
www.european-antennas.co.uk