

DIPOLE ANTENNA

FVD2-2.1-NM/1474



ELECTRICAL

FREQUENCY:	2.0 - 2.2 GHz
GAIN:	2 dBi Nominal
POLARISATION:	Linear (Vertical)
BEAMWIDTH:	360° (Az) x 80° (El)
CROSS POLAR:	25 dB Typical
VSWR:	2:1
POWER RATING:	25 W
FRONT TO BACK:	N/A

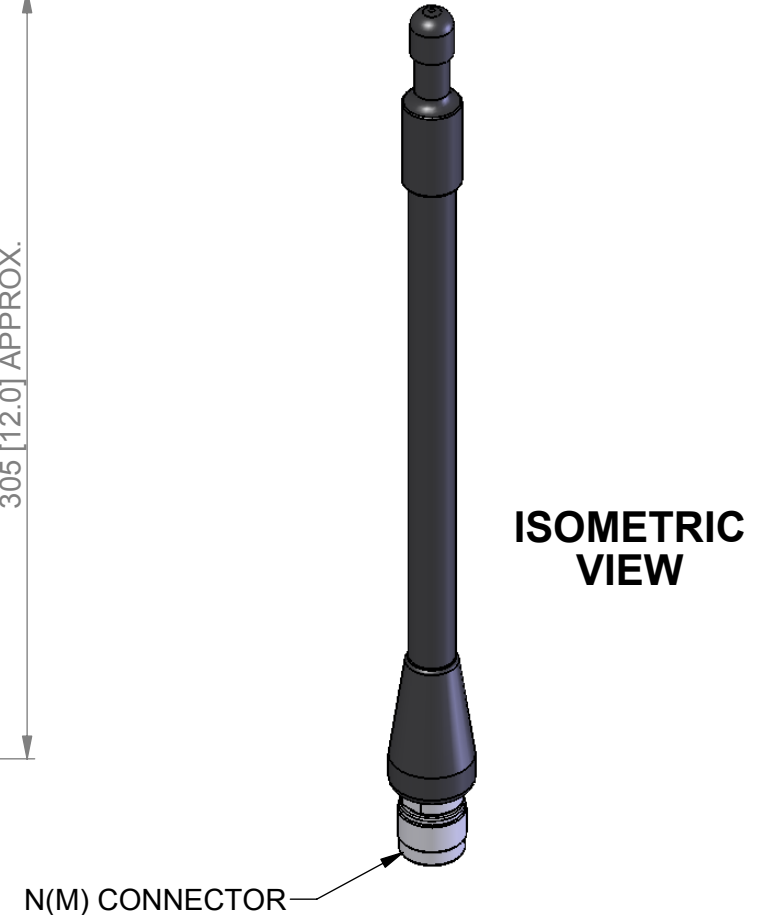
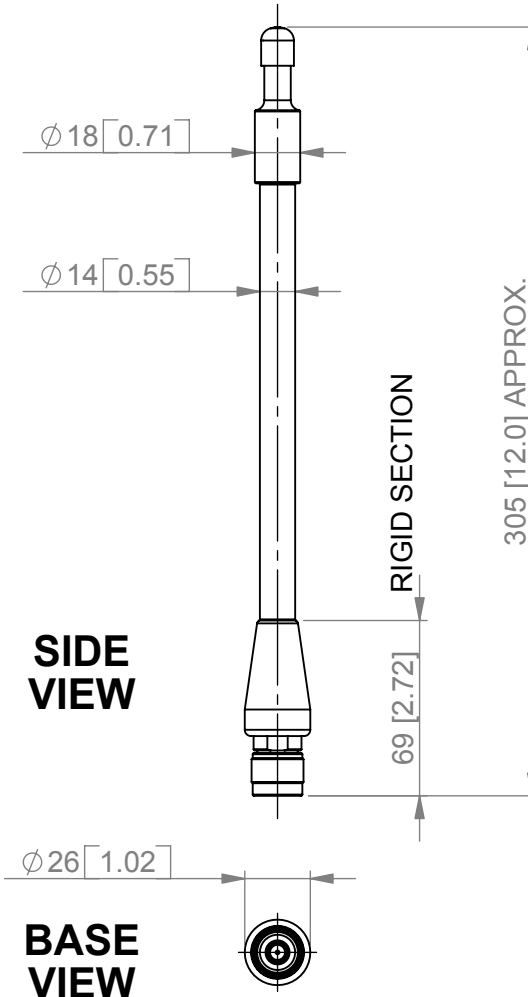
MECHANICAL

STANDARD FINISH:	Matt Black
MASS:	140g / 0.31 lbs Approx.
TEMPERATURE:	-20° to +50°C
WIND LOADING:	N/A

MOUNTING OPTIONS

KITS AVAILABLE:	N/A
See Separate Data Sheets	

GA: 1474-2 Issued: 231107
 DIMENSIONS: mm [inches] M



FVD2-2.1-NM/1474

European Antennas Ltd. has a policy of continuous development and therefore stress that the data contained on this sheet should be used for guidance only.

European Antennas Ltd. is part of the Cobham Antennas Division



Certificate No 9268

European Antennas Ltd
 Lambda House, Cheveley
 Newmarket, Suffolk, CB8 9RG, UK
 Tel: +44 (0)1638 731888
sales@european-antennas.co.uk
www.european-antennas.co.uk