

LOW PROFILE ANTENNA

LPA7-900-1800-DF/1408



ELECTRICAL

FREQUENCY:	880-960 MHz & 1710-1880 MHz
GAIN:	6 dBi Minimum
POLARISATION:	Linear (Vertical)
BEAMWIDTH:	80° (Az) x 80° (El) Approx.
CROSS POLAR:	18 dB
VSWR:	2.0:1
POWER RATING:	10 W
FRONT TO BACK:	20 dB Typical

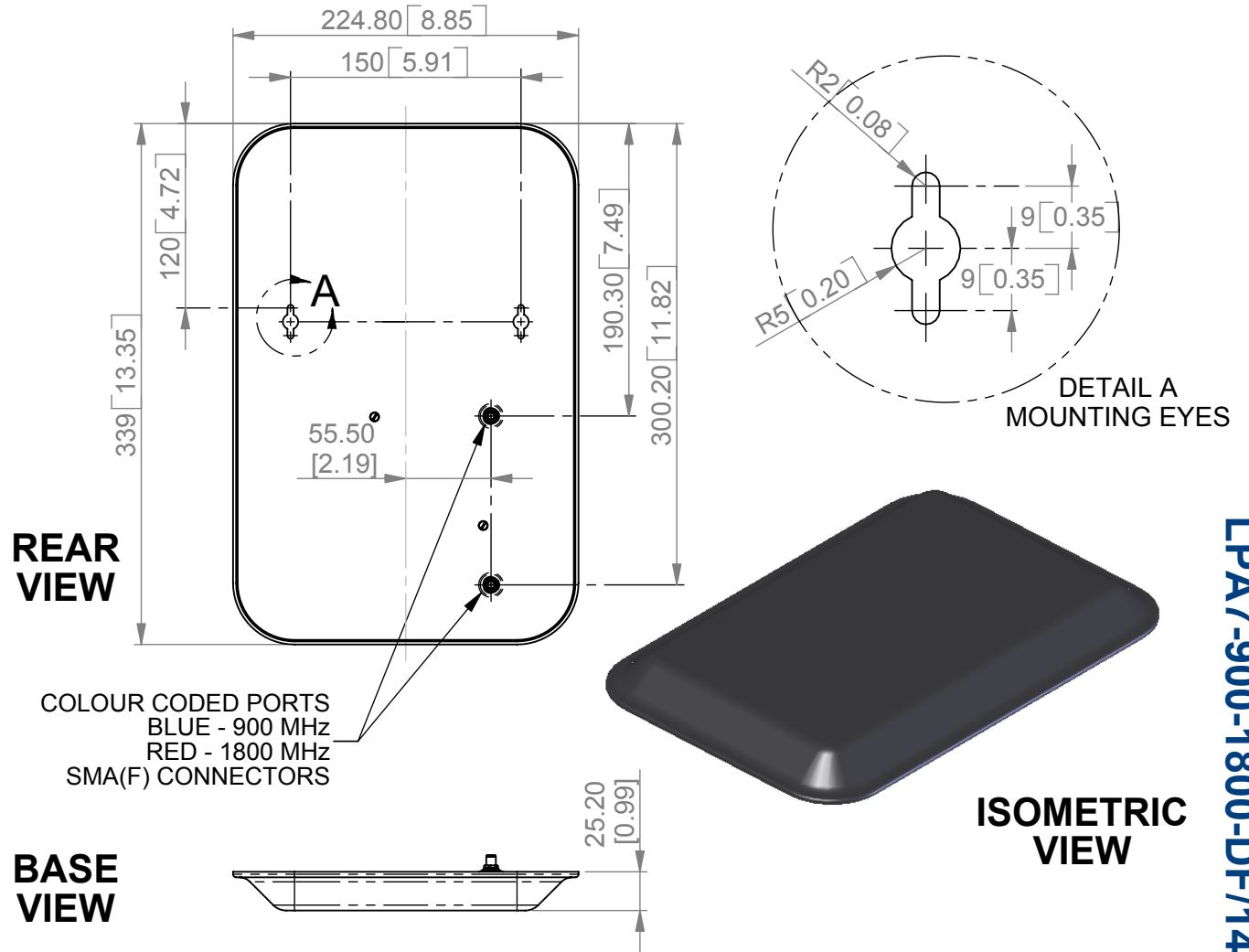
MECHANICAL

STANDARD FINISH:	Black
MASS:	750 g / 1.65 lbs
TEMPERATURE:	-20° to +50°C
WIND LOADING:	11.95 Kg / 26.3 lbs @ 100 mph

MOUNTING OPTIONS

KITS AVAILABLE:	N/A
------------------------	-----

GA: 1405-2 Issued: 220507
 DIMENSIONS: mm [inches]



LPA7-900-1800-DF/1408

European Antennas Ltd. has a policy of continuous development and therefore stress that the data contained on this sheet should be used for guidance only.

European Antennas Ltd. is part of the Cobham Antennas Division



Certificate No 9268

European Antennas Ltd
 Lambda House, Cheveley
 Newmarket, Suffolk, CB8 9RG, UK
 Tel: +44 (0)1638 731888
 sales@european-antennas.co.uk
www.european-antennas.co.uk