



EUROPEAN ANTENNAS

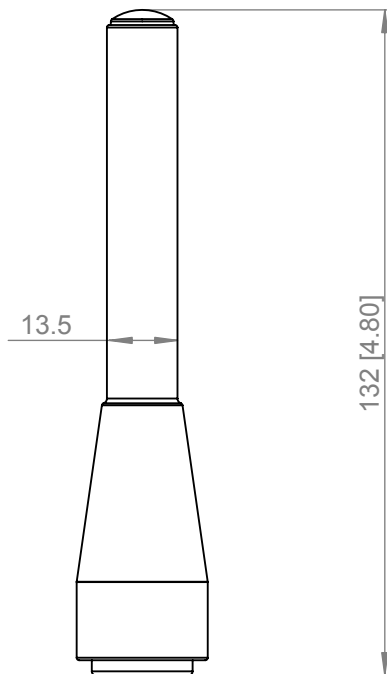
Excellence through design
Creative in concept

RUGGED DIPOLE ANTENNA

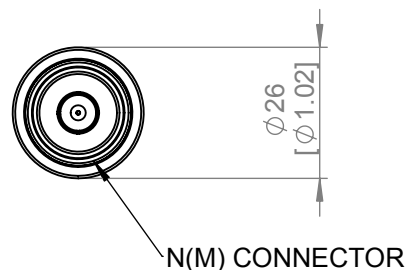
MODEL: EVD2-5600/1479

| | | | |
|----------------------|-------------------|----------------------|------------------------------|
| FREQUENCY: | 5.4-5.9 GHz | GAIN: | 2 dBi Nominal |
| POLARISATION: | Linear (Vertical) | BEAMWIDTH: | 360° (Az) x 80° (El) Approx. |
| AXIAL RATIO: | 20 dB Typical | VSWR: | 1.5:1 |
| POWER RATING: | 10 W | MASS: | 75g / 3oz |
| TEMPERATURE: | -20° to +50°C | WIND LOADING: | N/A |

SIDE VIEW



BASE VIEW



ISOMETRIC VIEW



GA: 1479-1 Issued: 030807 DIMENSIONS: mm (inches) H

EUROPEAN ANTENNAS LTD.
LAMBDA HOUSE, CHEVELEY
NEWMARKET, SUFFOLK, CB8 9RG,
UNITED KINGDOM



Certificate No 9268

Tel: +44 (0)1638 731888
Fax: +44 (0)1638 731999
E-Mail: sales@european-antennas.co.uk
Website: www.european-antennas.co.uk