

DLPA5-915R-1800R/1217

COBHAM

Low Profile Antenna

The most important thing we build is trust

Designed for Security Applications

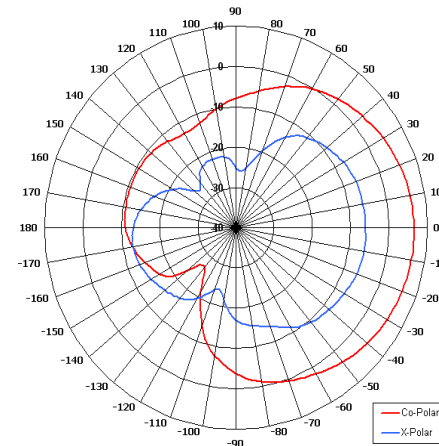
Suitable for Multiple Applications

Right Hand Circular Polarised

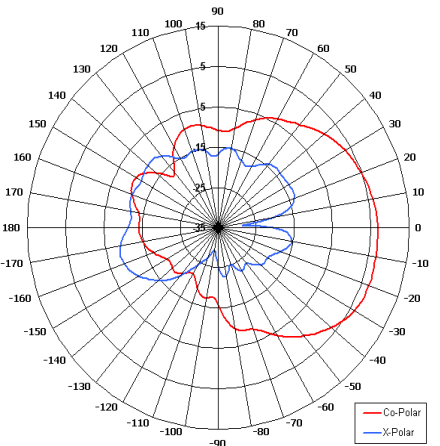
Rugged

Connector Options

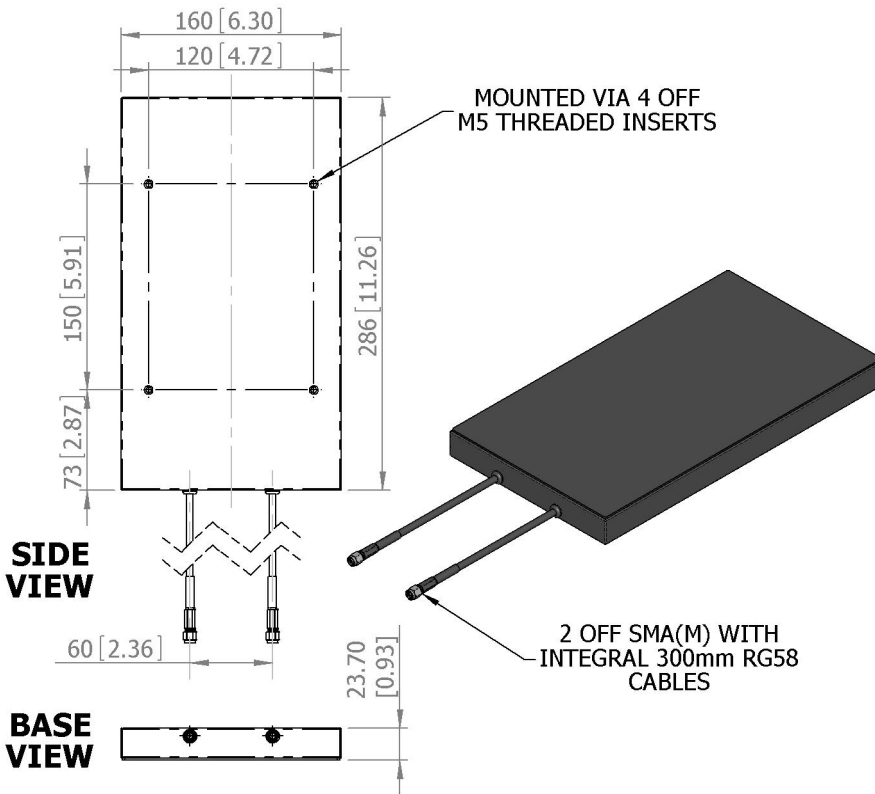
Colour Options



Azimuth Pattern



Elevation Pattern



SIDE VIEW

BASE VIEW

GA: 1217

ELECTRICAL

Frequency	870-960 MHz, 1.71-1.88 GHz
Gain	6.4 dBiC (GSM) 8.5 dBiC (DCS)
Polarisation	2x Right Hand Circular
Beamwidth	80° x 60° (GSM), 60° x 50° (DCS) Approx
Axial Ratio	2-5 dB
VSWR	2.0:1
Power Rating	20 W
Front to Back	>16 dB (GSM), >20 dB (DCS)

MECHANICAL

Standard Finish	Matt Black
Mass	0.61 Kg (1.34 lbs)
Temperature	-20° to +50° C
Wind Loading	7.42 Kg (16.33 lbs) @ 100mph

MOUNTING OPTIONS

Kits Available	N/A
----------------	-----

See separate data sheets

ADDITIONAL NOTES

Issued 081010

European Antennas Limited trading as Cobham Antenna Systems, Microwave Antennas

European Antennas Limited has a policy of continuous development and stress that the information provided is a guide only and does not constitute an offer or contract or part thereof. Whilst every effort is made to ensure the accuracy of the information contained in this brochure, no responsibility can be accepted for any errors or omissions.

The copyright of antenna designs and images is copyright protected and owned by European Antennas Limited.
©European Antennas Limited

For further information please contact:

Cobham Antenna Systems, Microwave Antennas
Lambda House, Cheveley,
Newmarket, Suffolk CB8 9RG, UK.
Tel +44 (0)1638 732 177
Fax +44 (0) 1638 731999
Email newmarket.sales@cobham.com