

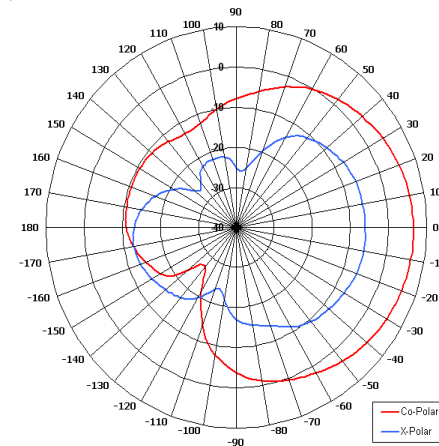
# DLPA4-850R-1945R/1216

**COBHAM**

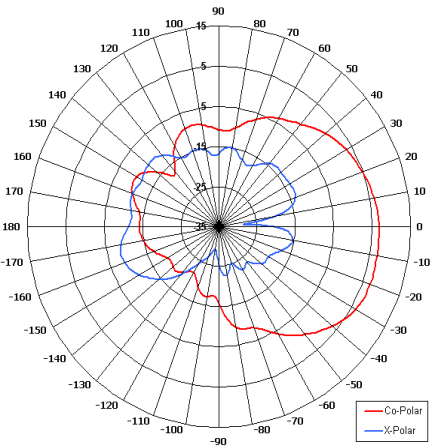
## Dual Low Profile Antenna

The most important thing we build is trust

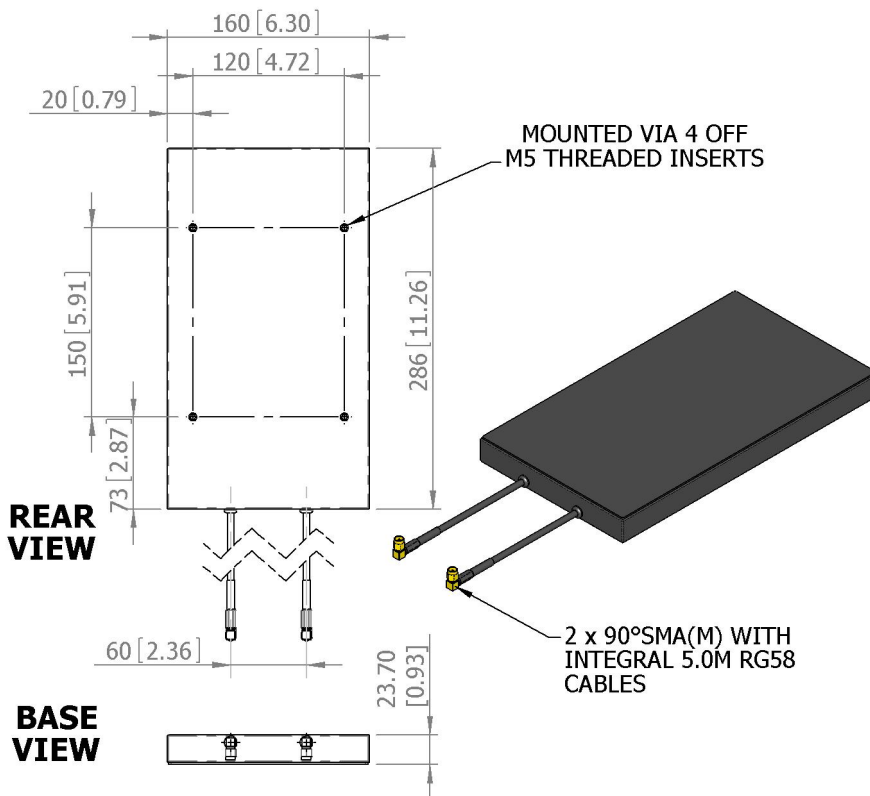
- Designed for Security Applications
- Suitable for Multiple Applications
- Right Hand Circular Polarised
- Rugged
- Connector Options
- Colour Options



Azimuth Pattern



Elevation Pattern



### ELECTRICAL

Frequency	805-895 MHz, 1,895-1,990 GHz
Gain	3.0 dBiC @ 850 MHz, 3.5 dBiC @ 1.945 GHz
Polarisation	Right Hand Circular
Beamwidth	80° x 60° @ 850 MHz, 60° x 45° @ 1.945 GHz
Axial Ratio	5 dB Typ
VSWR	2.0:1
Power Rating	20 W
Front to Back	20 dB Typ

### MECHANICAL

Standard Finish	Matt Black
Mass	0.75 Kg (1.65 lbs)
Temperature	-20° to +50°C
Wind Loading	7.42 Kg (16.33 lbs) @ 100mph

### MOUNTING OPTIONS

Kits Available	N/A
See separate data sheets	

### ADDITIONAL NOTES

Issued 281010

European Antennas Limited trading as Cobham Antenna Systems, Microwave Antennas

European Antennas Limited has a policy of continuous development and stress that the information provided is a guide only and does not constitute an offer or contract or part thereof. Whilst every effort is made to ensure the accuracy of the information contained in this brochure, no responsibility can be accepted for any errors or omissions.

The copyright of antenna designs and images is copyright protected and owned by European Antennas Limited.  
©European Antennas Limited

For further information please contact:

Cobham Antenna Systems, Microwave Antennas  
Lambda House, Cheveley,  
Newmarket, Suffolk CB8 9RG, UK.  
Tel +44 (0)1638 732 177  
Fax +44 (0) 1638 731999  
Email newmarket.sales@cobham.com