

SBA-900/1249



Short Blade Antenna

The most important thing we build is trust

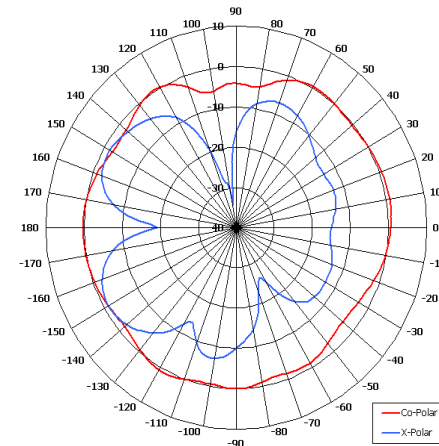
Suitable for Telemetry Applications

Designed for Unmanned Systems Applications

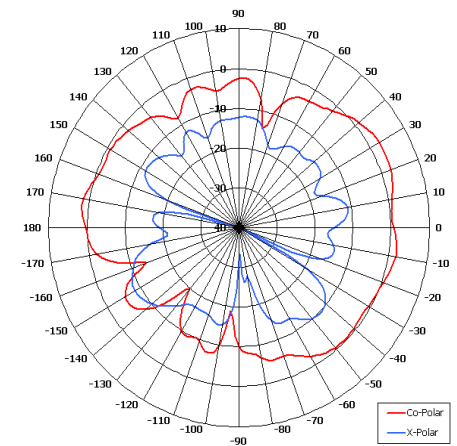
Monopole Design

Lightweight

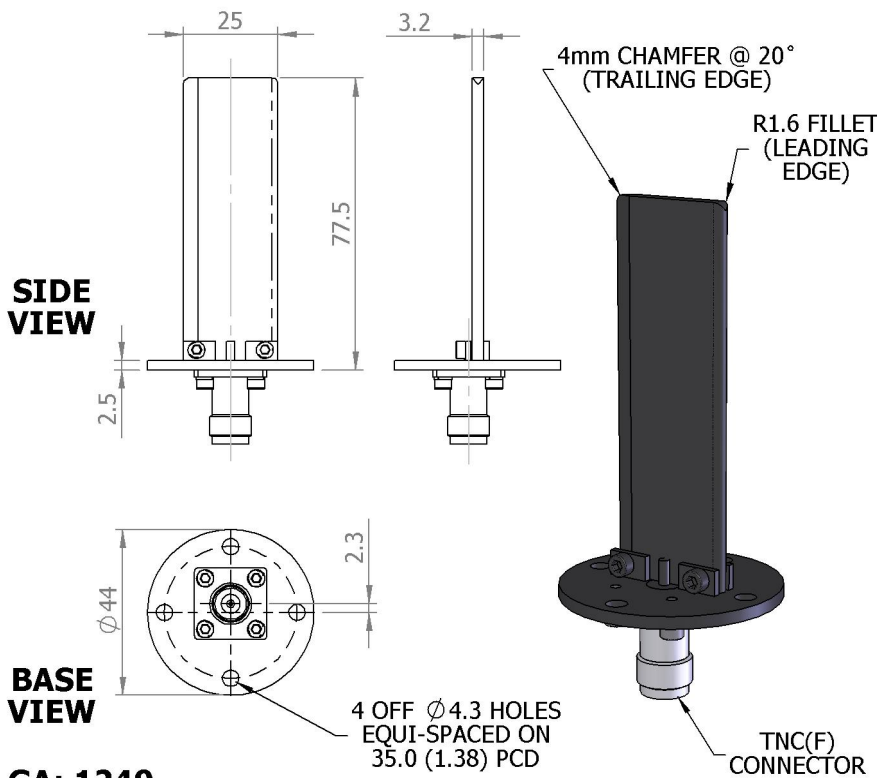
Suitable for Airborne Applications



Azimuth Pattern



Elevation Pattern



GA: 1249

ELECTRICAL

Frequency	902 - 928 MHz
Gain	0 - 2 dBi Nom
Polarisation	Linear (Vertical)
Beamwidth	360° (Az) x 100° (El) Approx
VSWR	1.5:1 On Groundplane
Power Rating	10W

MECHANICAL

Standard Finish	Matt Black
Mass	35g (1.2 oz)
Temperature	-40° to +60°C
Wind Loading	314g (0.691 lbs) @ 100 mph Worst Case

MOUNTING OPTIONS

Kits Available	N/A
See separate data sheets	

ADDITIONAL NOTES

Issued 110310

European Antennas Limited trading as Cobham Antenna Systems, Microwave Antennas

European Antennas Limited has a policy of continuous development and stress that the information provided is a guide only and does not constitute an offer or contract or part thereof. Whilst every effort is made to ensure the accuracy of the information contained in this brochure, no responsibility can be accepted for any errors or omissions.

The copyright of antenna designs and images is copyright protected and owned by European Antennas Limited.
©European Antennas Limited

For further information please contact:

Cobham Antenna Systems, Microwave Antennas
Lambda House, Cheveley,
Newmarket, Suffolk CB8 9RG, UK.
Tel +44 (0)1638 732 177
Fax +44 (0) 1638 731999
Email newmarket.sales@cobham.com