

# PSA0218L/1276



## Spiral Antenna

The most important thing we build is trust

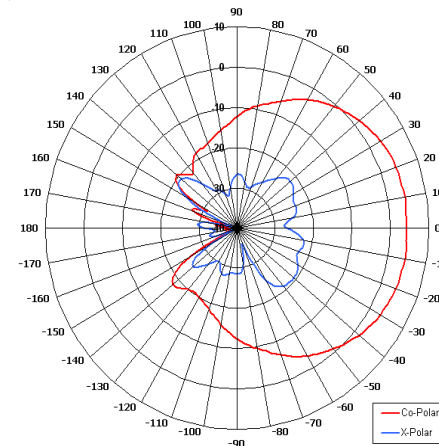
Designed for Electronic Warfare Application

Designed for DF Arrays

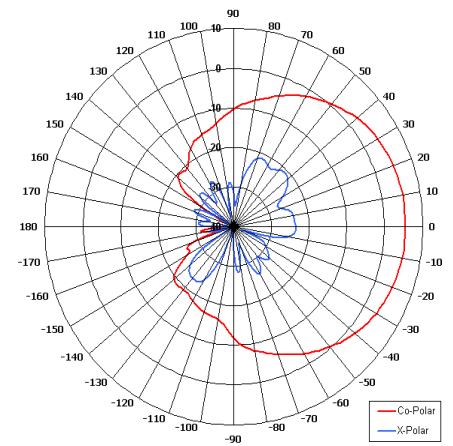
Pattern - Directional

Phase Matching Available

Amplitude Matching Available

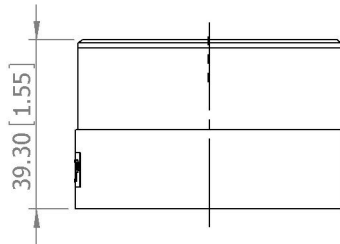


Azimuth Pattern

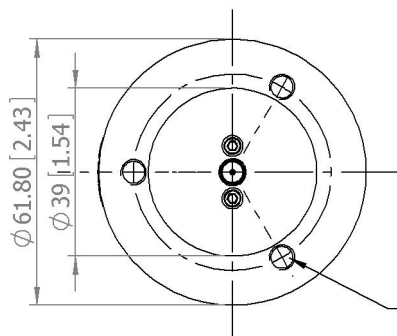


Elevation Pattern

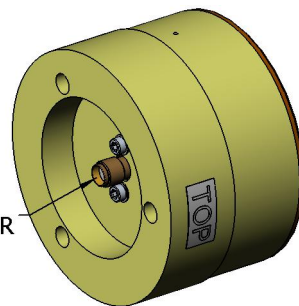
**SIDE VIEW**



**BASE VIEW**



SMA(F) CONNECTOR



3 OFF TAPPED HOLES  
10-32 UNF x 10 (0.39) DEEP  
EQUI-SP. ON 45.7 (1.8) PCD

**GA: 1276**

**ELECTRICAL**

Frequency	2.00 - 18.00 GHz
Gain	>-1 dBiC (2-4 GHz) >dBiC (4-18 GHz)
Polarisation	Left Hand Circular
Beamwidth	75° (Az) x 75° (El) Approx
Axial Ratio	3 dB Max across HPBW above 3 GHz Typ
VSWR	2.5:1 4-18 GHz, 3:1 2-4 GHz
Power Rating	2-5W varies across band
Front to Back	25 dB Minimum

**MECHANICAL**

Standard Finish	Beige Radome, Alocrom Chassis
Mass	145g (5.1 oz)
Temperature	-54° to +71°C
Wind Loading	390g (13.71 ozs) @ 100mph

**MOUNTING OPTIONS**

Kits Available	N/A
See separate data sheets	

**ADDITIONAL NOTES**

Issued 180210

European Antennas Limited trading as Cobham Antenna Systems, Microwave Antennas

European Antennas Limited has a policy of continuous development and stress that the information provided is a guide only and does not constitute an offer or contract or part thereof. Whilst every effort is made to ensure the accuracy of the information contained in this brochure, no responsibility can be accepted for any errors or omissions.

The copyright of antenna designs and images is copyright protected and owned by European Antennas Limited.  
©European Antennas Limited

For further information please contact:

Cobham Antenna Systems, Microwave Antennas  
Lambda House, Cheveley,  
Newmarket, Suffolk CB8 9RG, UK.  
Tel +44 (0)1638 732 177  
Fax +44 (0) 1638 731999  
Email newmarket.sales@cobham.com