

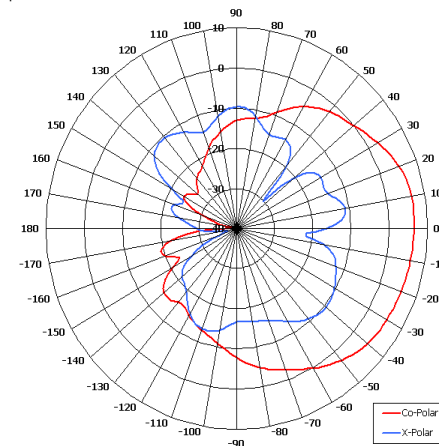
# DLPA6-2.5-5.5 DS/1314

**COBHAM**

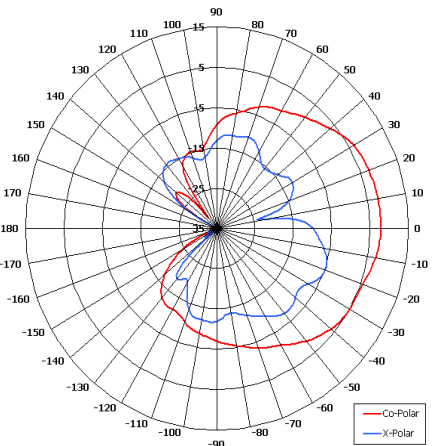
WLAN Antenna

The most important thing we build is trust

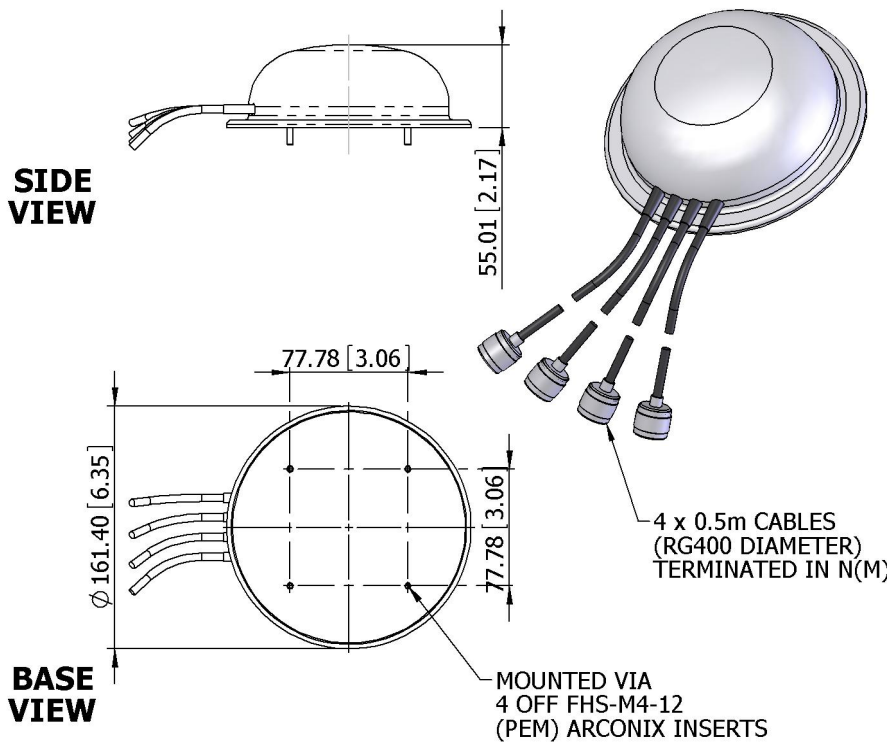
- Pattern - Directional
- Dual Slant Polarisation
- Dual Band
- Aesthetic Design
- Suitable for Outdoor Applications



Azimuth Pattern 2.5 Ports



Azimuth Pattern 5.5 Ports



**GA: 1314**

## ELECTRICAL

Frequency	2.40-2.50 GHz (2.5 Ports) 5.15 - 5.85 GHz (5.5 Ports)
Gain	8 dBi Nom (Both Frequencies)
Polarisation	Dual Slant 45+/-
Beamwidth	60° (Az) x 60° (El) Approx
Cross Polar	15-20 dB Typ
VSWR	<1.5:1 Typ
Power Rating	10 W
Front to Back	30 dB Typ

## MECHANICAL

Standard Finish	White Radome
Mass	0.5 Kg (1.1 lbs) Approx
Temperature	-20° to +50° C
Wind Loading	N/A

## MOUNTING OPTIONS

Kits Available	MK4/B
----------------	-------

See separate data sheets

## ADDITIONAL NOTES

Issued 021212

European Antennas Limited trading as Cobham Antenna Systems, Microwave Antennas

European Antennas Limited has a policy of continuous development and stress that the information provided is a guide only and does not constitute an offer or contract or part thereof. Whilst every effort is made to ensure the accuracy of the information contained in this brochure, no responsibility can be accepted for any errors or omissions.

The copyright of antenna designs and images is copyright protected and owned by European Antennas Limited.  
©European Antennas Limited

For further information please contact:

Cobham Antenna Systems, Microwave Antennas  
Lambda House, Cheveley,  
Newmarket, Suffolk CB8 9RG, UK.  
Tel +44 (0)1638 732 177  
Fax +44 (0) 1638 731999  
Email newmarket.sales@cobham.com