

LPA7-25R/1342

COBHAM

Low Profile Antenna

The most important thing we build is trust

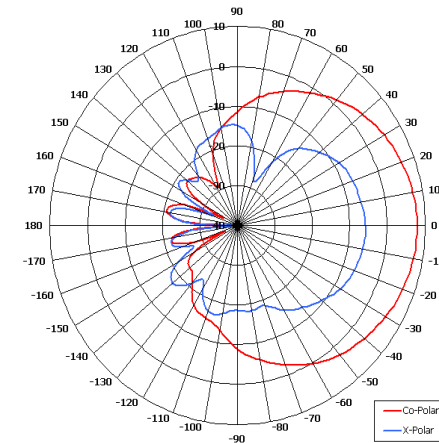
Designed for Military Applications

Pattern - Directional

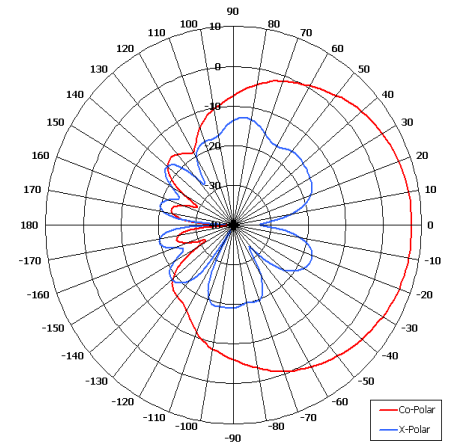
Righthand Circular Polarised

Wide Band

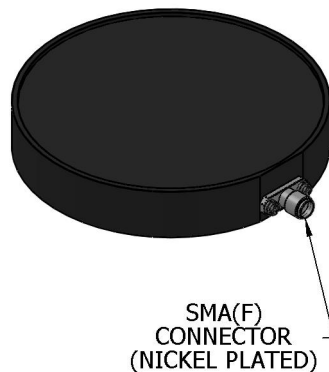
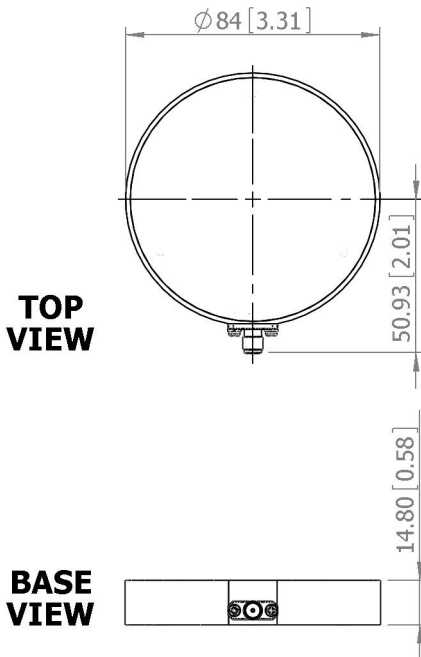
Rugged



Azimuth Pattern



Elevation Pattern



ELECTRICAL

Frequency	2.30 - 2.70 GHz
Gain	7 dBiC Nom
Polarisation	Right Hand Circular
Beamwidth	80° (Az) x 80° (El) Approx
Axial Ratio	2 dB
VSWR	1.5:1
Power Rating	10 W
Front to Back	N/A

MECHANICAL

Standard Finish	Matt Black
Mass	150 g (5.3 oz)
Temperature	-20° to +50°C
Wind Loading	0.9 Kg (2.0 lbs) @ 100mph

MOUNTING OPTIONS

Kits Available	N/A
See separate data sheets	

ADDITIONAL NOTES

GA: 1342

European Antennas Limited trading as Cobham Antenna Systems, Microwave Antennas

European Antennas Limited has a policy of continuous development and stress that the information provided is a guide only and does not constitute an offer or contract or part thereof. Whilst every effort is made to ensure the accuracy of the information contained in this brochure, no responsibility can be accepted for any errors or omissions.

The copyright of antenna designs and images is copyright protected and owned by European Antennas Limited.
©European Antennas Limited

Issued 100910

For further information please contact:

Cobham Antenna Systems, Microwave Antennas
 Lambda House, Cheveley,
 Newmarket, Suffolk CB8 9RG, UK.
 Tel +44 (0)1638 732 177
 Fax +44 (0) 1638 731999
 Email newmarket.sales@cobham.com