

# BSF-1030-1090/1347

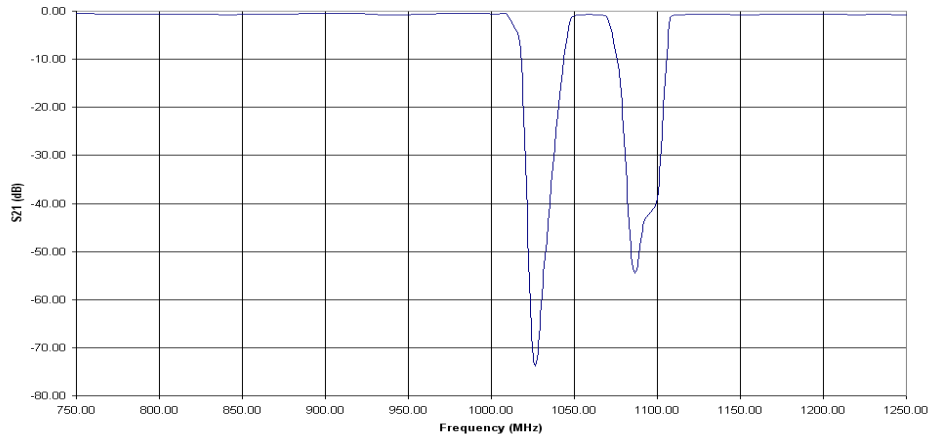
**COBHAM**

## Link 16 Bandstop Filter

The most important thing we build is trust

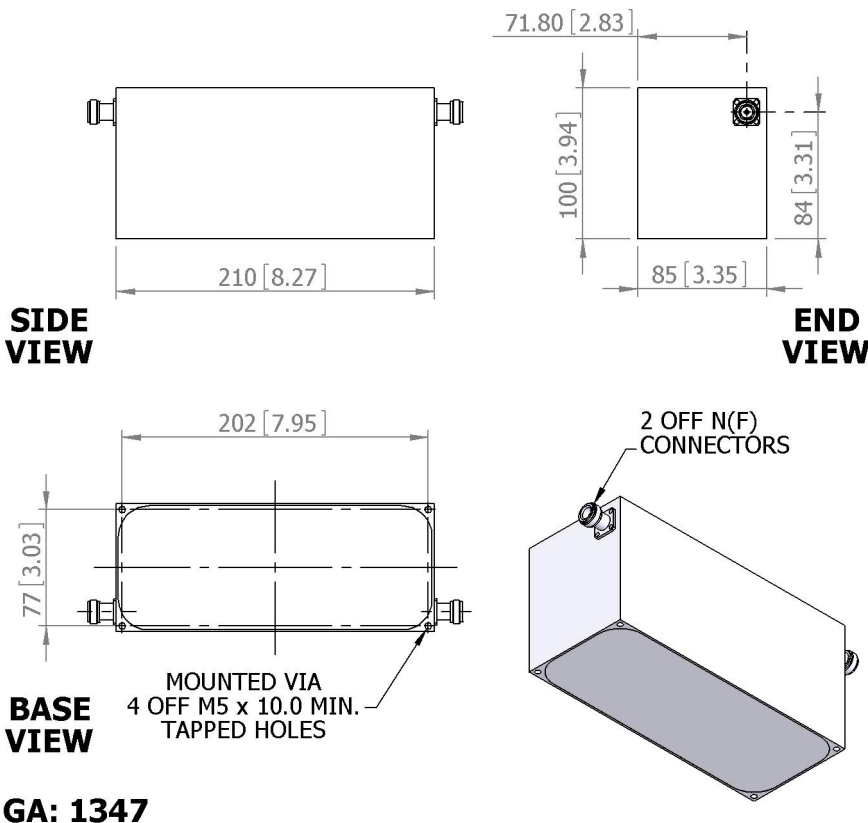
- Designed for use with LINK16 Application
- High Level Band-Stop for Primary IFF Bands
- Suitable for Tactical Comms Applications
- Provides Harmonic Rejection above 1900 MHz

Nato Stock Number:  
5915997255169



Azimuth Pattern

Elevation Pattern



### ELECTRICAL

Passband	From DC to 1008 MHz
Passband	From 1053 MHz to 1065 MHz
Passband	From 1113 MHz to 1215 MHz
Passband Insertion Loss	1.0 dB Max
Passband/VSWR	1.6:1 Max
Rej from 1023-1037 MHz	35 dB Min
Rej from 1083-1097 MHz	35 dB Min
Rej from 1900-4000 MHz	30 dB Min, 45 dB Typ
Power Handling	200W Peak 40W Average

### MECHANICAL

Weight	3.7 Kg Max
Operating Temperature	-20° to +50°C
Standard Finish	Pearl Grey
Connectors	Input N-Female Output - N-Female

### MOUNTING OPTIONS

Kits Available	N/A
See separate data sheets	

### ADDITIONAL NOTES

Issued 071011

European Antennas Limited trading as Cobham Antenna Systems, Microwave Antennas

European Antennas Limited has a policy of continuous development and stress that the information provided is a guide only and does not constitute an offer or contract or part thereof. Whilst every effort is made to ensure the accuracy of the information contained in this brochure, no responsibility can be accepted for any errors or omissions.

The copyright of antenna designs and images is copyright protected and owned by European Antennas Limited.  
©European Antennas Limited

For further information please contact:

Cobham Antenna Systems, Microwave Antennas  
Lambda House, Cheveley,  
Newmarket, Suffolk CB8 9RG, UK.  
Tel +44 (0)1638 732 177  
Fax +44 (0) 1638 731999  
Email newmarket.sales@cobham.com