

RCO4-149/1385

COBHAM

Omni Antenna

The most important thing we build is trust

Designed for UAV Data Link Applications

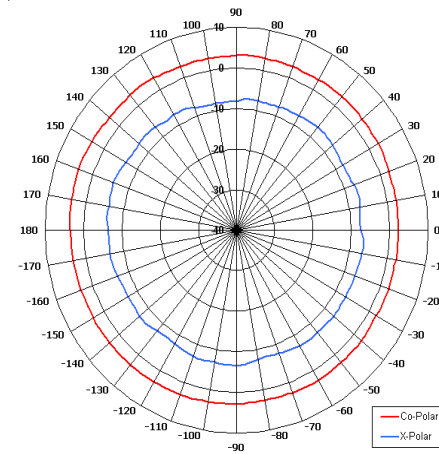
High Frequency

Right Hand Circular Polarised

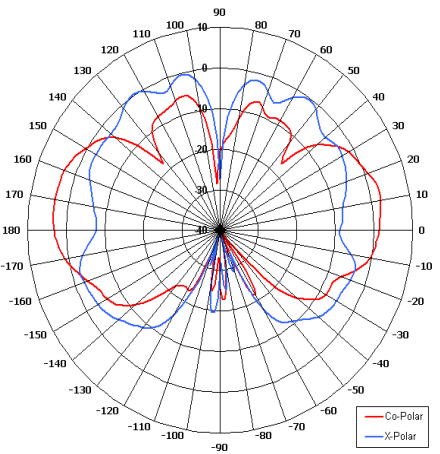
Suitable for Airborne Applications

Rugged

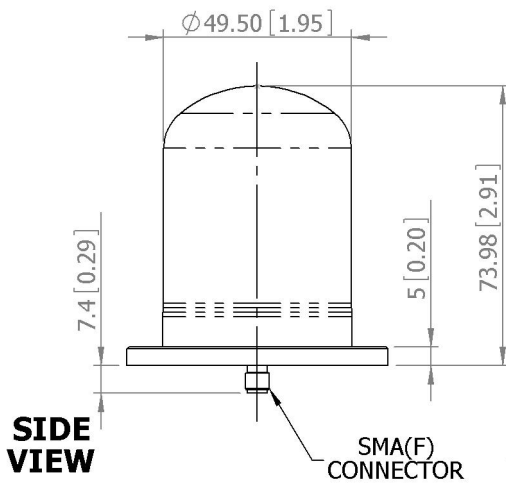
Connector Options



Azimuth Pattern

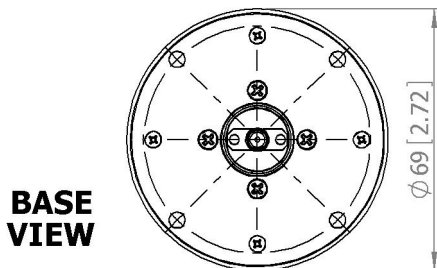


Elevation Pattern



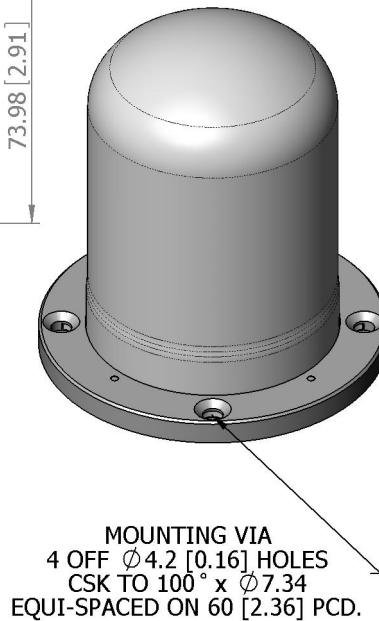
SIDE VIEW

SMA(F) CONNECTOR



BASE VIEW

GA: 1385



MOUNTING VIA
4 OFF Ø4.2 [0.16] HOLES
CSK TO 100° x Ø7.34
EQUI-SPACED ON 60 [2.36] PCD.

ELECTRICAL

| | |
|---------------|-----------------------------|
| Frequency | 14.40 - 15.40 GHz |
| Gain | 4 dBiC Nom |
| Polarisation | Right Hand Circular |
| Beamwidth | 360° (Az) x 40° (El) Approx |
| Axial Ratio | 5 dB Typ |
| VSWR | 1.5:1 |
| Power Rating | 50W |
| Front to Back | N/A |

MECHANICAL

| | |
|-----------------|---------------------------|
| Standard Finish | Aerodur Camouflage Grey |
| Mass | 125g (4.4 oz) |
| Temperature | -40° to +71°C |
| Wind Loading | 0.58 Kg(1.27lbs) @ 100mph |

MOUNTING OPTIONS

| | |
|--------------------------|-----|
| Kits Available | N/A |
| See separate data sheets | |

ADDITIONAL NOTES

Issued 020910

European Antennas Limited trading as Cobham Antenna Systems, Microwave Antennas

European Antennas Limited has a policy of continuous development and stress that the information provided is a guide only and does not constitute an offer or contract or part thereof. Whilst every effort is made to ensure the accuracy of the information contained in this brochure, no responsibility can be accepted for any errors or omissions.

The copyright of antenna designs and images is copyright protected and owned by European Antennas Limited.
©European Antennas Limited

For further information please contact:

Cobham Antenna Systems, Microwave Antennas
Lambda House, Cheveley,
Newmarket, Suffolk CB8 9RG, UK.
Tel +44 (0)1638 732 177
Fax +44 (0) 1638 731999
Email antennasystems.ma@cobham.com