

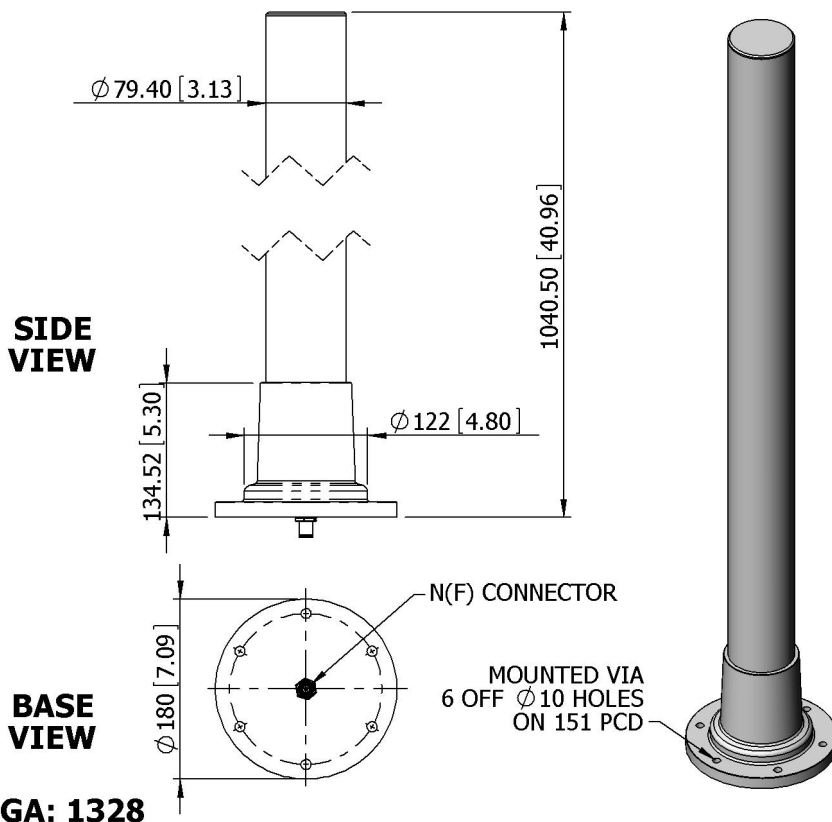
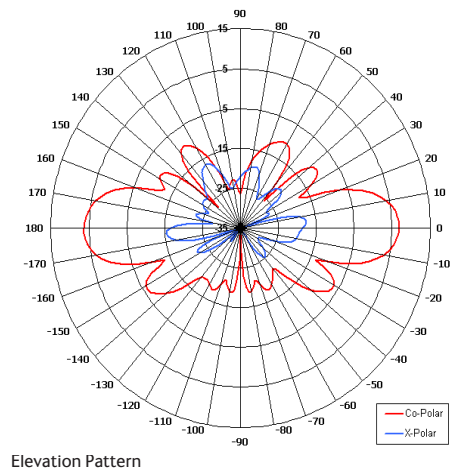
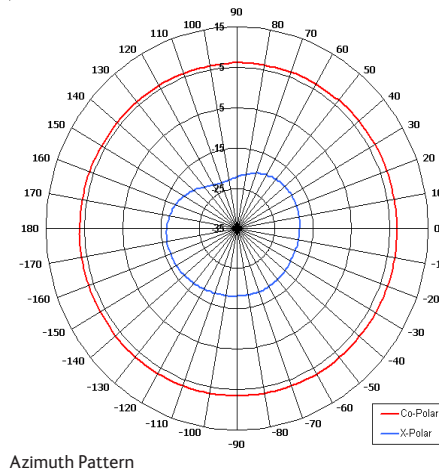
OA7-1090V/1328

COBHAM

Omni Antenna

The most important thing we build is trust

- Ultra Wideband
- Omni-Directional Antenna
- High Power
- Designed for Link 16 Applications
- Suitable for Military Applications
- Rugged Design



ELECTRICAL

Frequency	960 - 1215 MHz
Gain	7 dBi Nom
Polarisation	Linear (Vertical)
Beamwidth	360° (Az) x 16.5° (EI) Approx
Cross Polar	25 dB Typ
VSWR	2:1 Max, 1.5:1 Typ
Power Rating	200 W @ 50% Duty
Front to Back	N/A
Electrical Tilt	1.5° Uptilt
DC Grounding	D C Grounded
Impedance	50 Ohms

MECHANICAL

Standard Finish	Gloss White
Mass	2.5 Kg (5.5 lbs)
Temperature	-40° to +50°C
Wind Loading	14.3 Kg (31.4 lbs) @ 100mph
Ice Load	25mm all over @ 100 mps Max

MOUNTING OPTIONS

Kits available	N/A
See separate data sheets	

ADDITIONAL NOTES

Issued 220110

European Antennas Limited trading as Cobham Antenna Systems, Microwave Antennas

European Antennas Limited has a policy of continuous development and stress that the information provided is a guide only and does not constitute an offer or contract or part thereof. Whilst every effort is made to ensure the accuracy of the information contained in this brochure, no responsibility can be accepted for any errors or omissions.

The copyright of antenna designs and images is copyright protected and owned by European Antennas Limited.
©European Antennas Limited

For further information please contact:

Cobham Antenna Systems, Microwave Antennas
 Lambda House, Cheveley,
 Newmarket, Suffolk CB8 9RG, UK.
 Tel +44 (0)1638 732 177
 Fax +44 (0) 1638 731999
 Email antennasystems.ma@cobham.com