

EXTRA RUGGED DIPOLE ANTENNA EVD2-3.2/1398/LDS

PROVISIONAL SPECIFICATION



ELECTRICAL

FREQUENCY:	3.10 - 3.35 GHz
GAIN:	2 dBi Nominal
POLARISATION:	Linear (Vertical)
BEAMWIDTH:	360° (Az) x 80° (El) Approx
CROSS POLAR:	15 - 20 dB Typical
VSWR:	2:1
POWER RATING:	10 W
FRONT TO BACK:	N/A
ELECTRICAL TILT:	0°

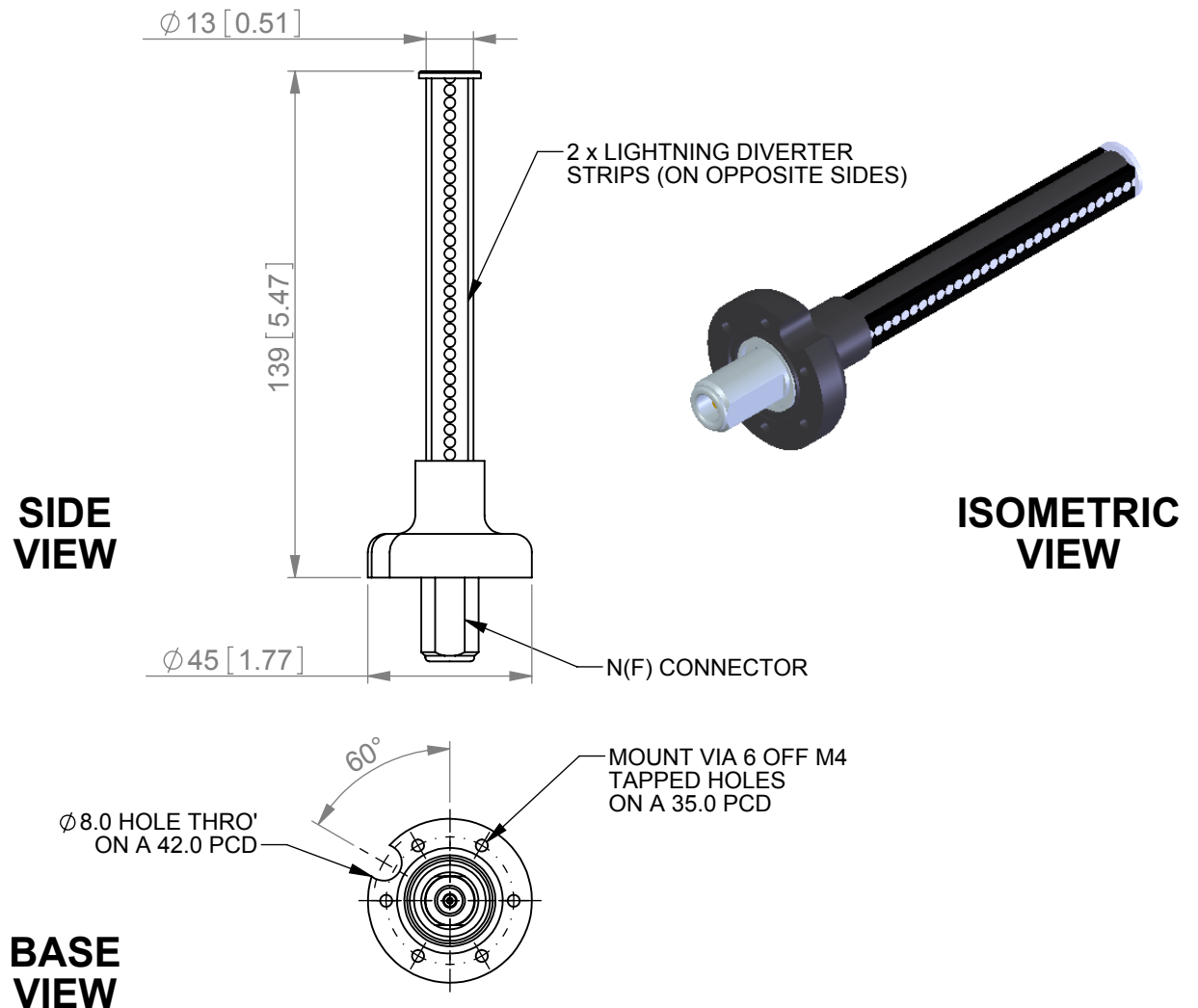
MECHANICAL

STANDARD FINISH:	Gloss White
MASS:	210 g / 7.5 oz
TEMPERATURE:	-20° to +50°C
WIND LOADING:	560 g / 1.03 lbs @ 100 mph

MOUNTING OPTIONS

KITS AVAILABLE:	N/A
See Separate Data Sheets	

GA: 1398/LDS-2 Issued: 070409
DIMENSIONS: mm [inches] L



EVD2-3.2/1398/LDS

European Antennas Ltd. has a policy of continuous development and therefore stress that the data contained on this sheet should be used for guidance only.

European Antennas Ltd is part of Cobham Defence Electronic Systems



Certificate No 9263

European Antennas Ltd
Lambda House, Cheveley
Newmarket, Suffolk, CB8 9RG, UK
Tel: +44 (0)1638 731888
sales@european-antennas.co.uk
www.european-antennas.co.uk