



EUROPEAN ANTENNAS

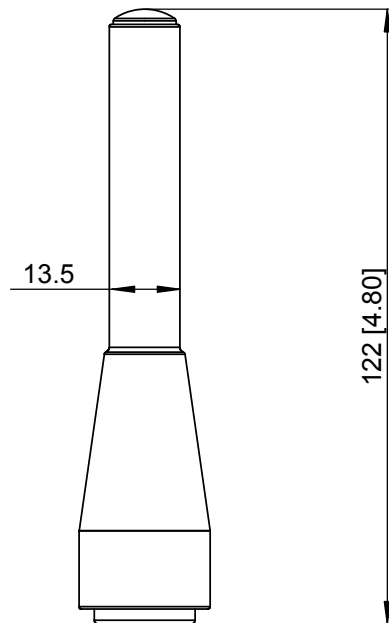
Excellence through design
Creative in concept

RUGGED DIPOLE ANTENNA

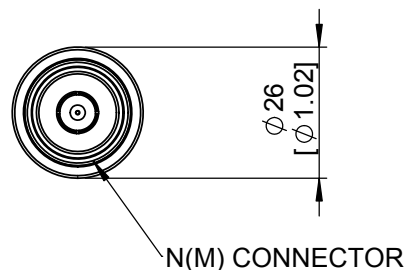
MODEL: EVD2-5600/1286

FREQUENCY:	5.45-5.75 GHz	GAIN:	2 dBi Nominal
POLARISATION:	Linear (Vertical)	BEAMWIDTH:	360° (Az) x 80° (El) Approx.
AXIAL RATIO:	20 dB Typical	VSWR:	1.5:1
POWER RATING:	10 W	MASS:	75g / 3oz
TEMPERATURE:	-20° to +50°C	WIND LOADING:	N/A

SIDE VIEW



BASE VIEW



ISOMETRIC VIEW



GA:1286-2 Issued: 160107 DIMENSIONS: mm (inches) H

EUROPEAN ANTENNAS LTD.
LAMBDA HOUSE, CHEVELEY
NEWMARKET, SUFFOLK, CB8 9RG,
UNITED KINGDOM



Certificate No 9268

Tel: +44 (0)1638 731888
Fax: +44 (0)1638 731999
E-Mail: sales@european-antennas.co.uk
Website: www.european-antennas.co.uk