



# EUROPEAN ANTENNAS

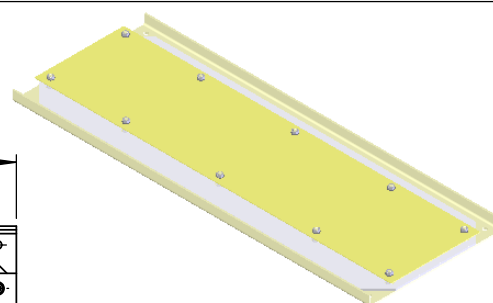
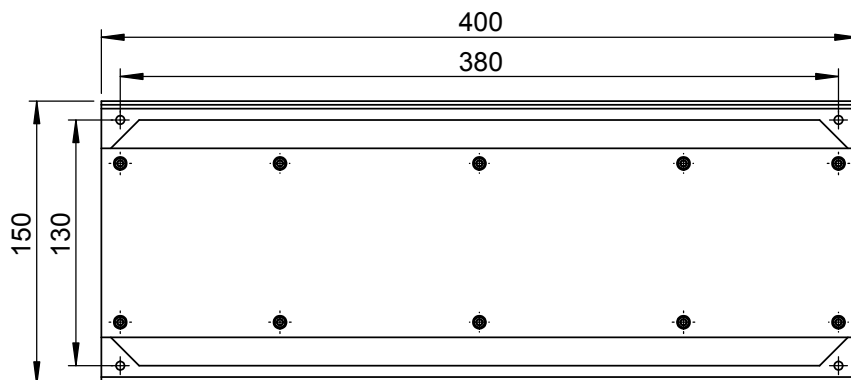
Excellence through design  
Creative in concept

## SECTOR ANTENNA

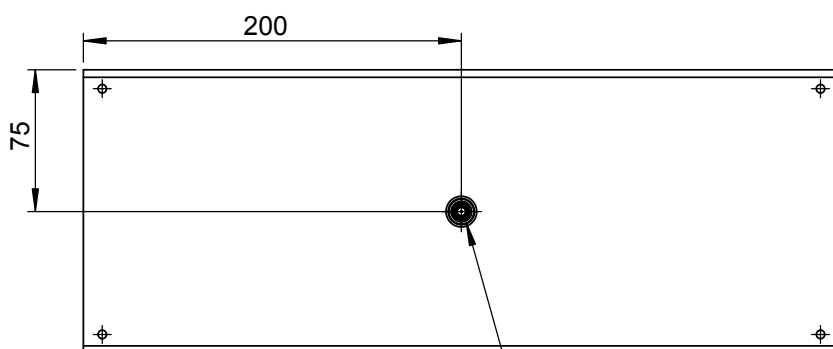
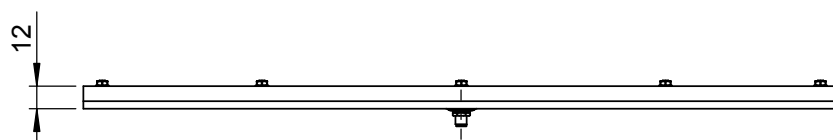
### MODEL: SA13-60-2.4L/1302

<b>FREQUENCY:</b>	2.3-2.5 GHz	<b>GAIN:</b>	14.2 dBiC Nominal
<b>POLARISATION:</b>	Left Hand Circular	<b>BEAMWIDTH:</b>	60° (Az) x 17° (El) Approx.
<b>AXIAL RATIO:</b>	1 dB Typical	<b>VSWR:</b>	<1.5:1
<b>POWER RATING:</b>	25 W	<b>FRONT TO BACK:</b>	>25 dB
<b>TEMPERATURE:</b>	-20° to +50°C	<b>MASS:</b>	0.45 Kg / 0.99 lbs
<b>FINISH:</b>	As built	<b>WIND LOADING:</b>	9.73 Kg / 21.41 lbs @ 100 mph

### FRONT VIEW



### ISOMETRIC VIEW



SMA(F) CONNECTOR

### BASE VIEW

GA: 1302-1 | Issued: 240306 | DIMENSIONS: mm (inches) | M

EUROPEAN ANTENNAS LTD.  
LAMBDA HOUSE, CHEVELEY  
NEWMARKET, SUFFOLK, CB8 9RG,  
UNITED KINGDOM



Certificate No 9268

Tel: +44 (0)1638 731888  
Fax: +44 (0)1638 731999  
E-Mail: sales@european-antennas.co.uk  
Website: www.european-antennas.co.uk