

# XPO5-112VH/1122

# COBHAM

Omni Antenna

The most important thing we build is trust

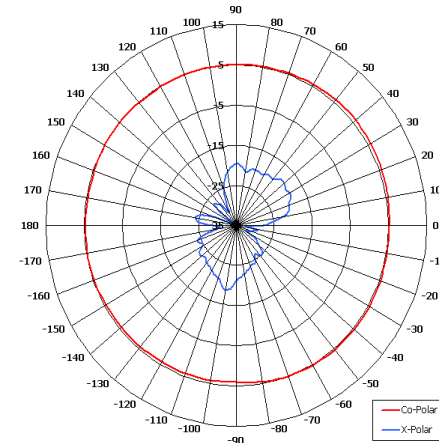
Designed for Broadcast Applications

Wide Band

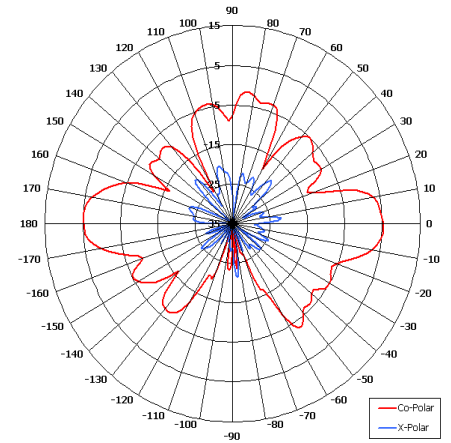
Dual Linear Polarisation

Low Profile

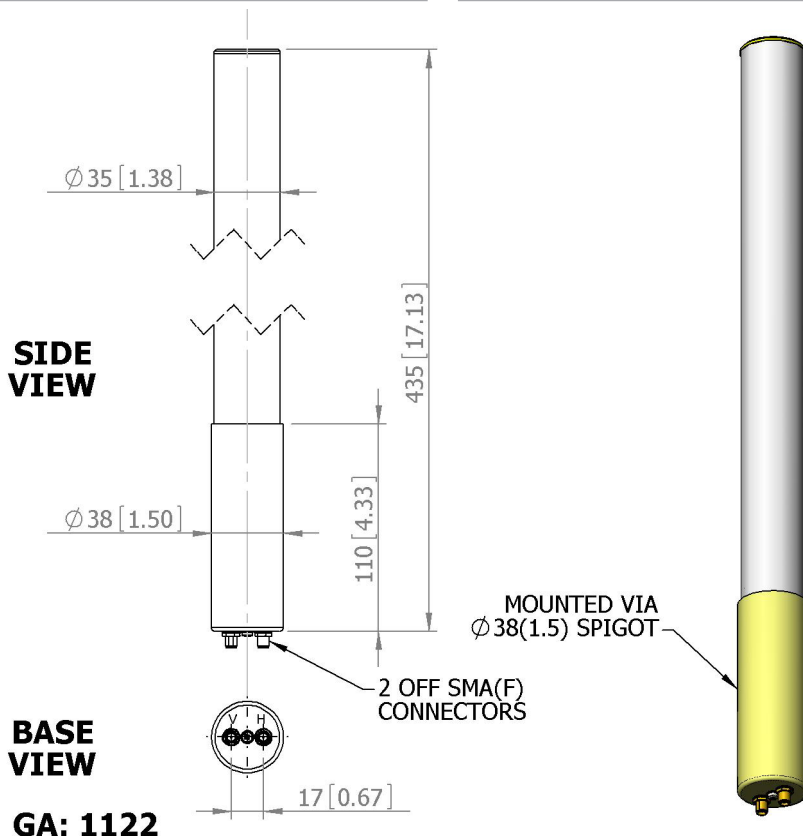
Mounting Options



Azimuth Pattern



Elevation Pattern



### ELECTRICAL

Frequency	10.70 - 11.70 GHz
Gain	5 dBi Typical
Polarisation	Dual Linear (Vertical & Horizontal)
Beamwidth	360° (Az) x c18° (El) Approx
Cross Polar	20 dB Typ
VSWR	3:1
Power Rating	2x 50W
Front to Back	N/A

### MECHANICAL

Standard Finish	Grey Radome, Alocrom 1200 Spigot
Mass	350g (0.77 lbs)
Temperature	-40° to +60°C
Wind Loading	2.77 Kg (6.1 lbs) @ 100mph

### MOUNTING OPTIONS

Kits Available	N/A
See separate data sheets	

### ADDITIONAL NOTES

Issued 151010

European Antennas Limited trading as Cobham Antenna Systems, Microwave Antennas

European Antennas Limited has a policy of continuous development and stress that the information provided is a guide only and does not constitute an offer or contract or part thereof. Whilst every effort is made to ensure the accuracy of the information contained in this brochure, no responsibility can be accepted for any errors or omissions.

The copyright of antenna designs and images is copyright protected and owned by European Antennas Limited.  
©European Antennas Limited

For further information please contact:

Cobham Antenna Systems, Microwave Antennas  
Lambda House, Cheveley,  
Newmarket, Suffolk CB8 9RG, UK.  
Tel +44 (0)1638 732 177  
Fax +44 (0) 1638 731999  
Email newmarket.sales@cobham.com