

HDA-12751/1148

COBHAM

Directional Antenna

The most important thing we build is trust

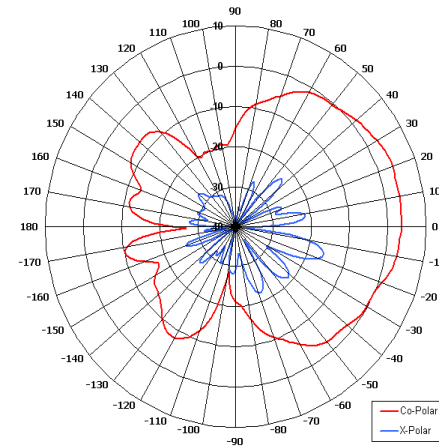
Designed for UAV Data Link Applications

Pattern - Sectorial

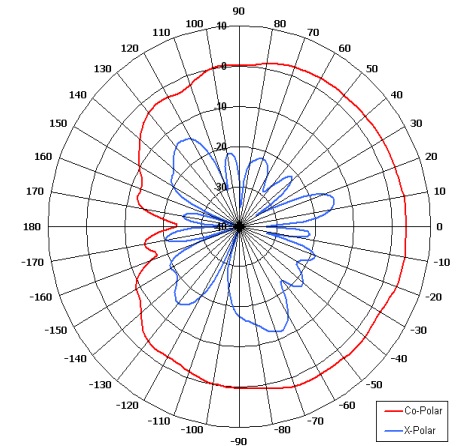
Designed for Integrated Solutions

Lightweight

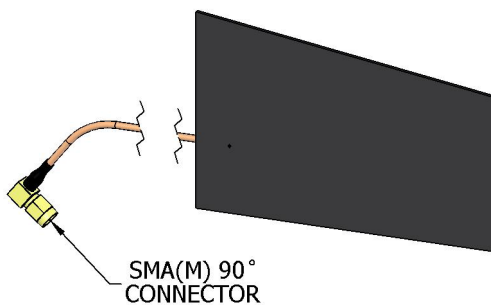
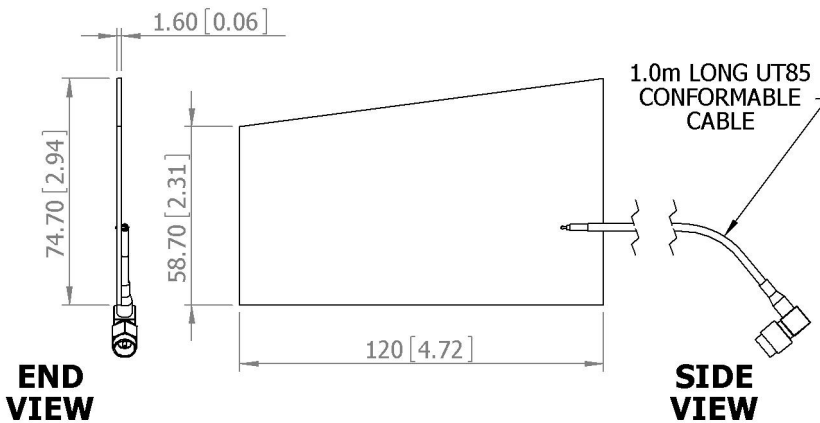
Covered by Export Control Legislation



Azimuth Pattern



Elevation Pattern



GA: 1148

ELECTRICAL

Frequency	1.20 - 1.35 GHz
Gain	4 dBi Nom
Polarisation	Linear (Horizontal)
Beamwidth	75° (Az) x 175° (El) Approx
Cross Polar	-20 dB Min
VSWR	2.0:1
Power Rating	5 W
Front to Back	N/A

MECHANICAL

Standard Finish	Matt Black
Mass	47g (1.65 oz)
Temperature	-20° to +50°C
Wind Loading	1.3 Kg (2.9lbs) @ 100mph

MOUNTING OPTIONS

Kits Available	N/A
See separate data sheets	

ADDITIONAL NOTES

Issued 021212

European Antennas Limited trading as Cobham Antenna Systems, Microwave Antennas

European Antennas Limited has a policy of continuous development and stress that the information provided is a guide only and does not constitute an offer or contract or part thereof. Whilst every effort is made to ensure the accuracy of the information contained in this brochure, no responsibility can be accepted for any errors or omissions.

The copyright of antenna designs and images is copyright protected and owned by European Antennas Limited.
©European Antennas Limited

For further information please contact:

Cobham Antenna Systems, Microwave Antennas
Lambda House, Cheveley,
Newmarket, Suffolk CB8 9RG, UK.
Tel +44 (0)1638 732 177
Fax +44 (0) 1638 731999
Email newmarket.sales@cobham.com