

DS03-24-54/1177

COBHAM

Diversity Omni Antenna

The most important thing we build is trust

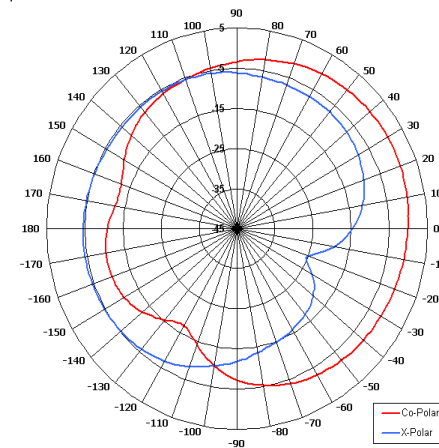
Designed for WLAN Applications

Pattern - Omni Directional

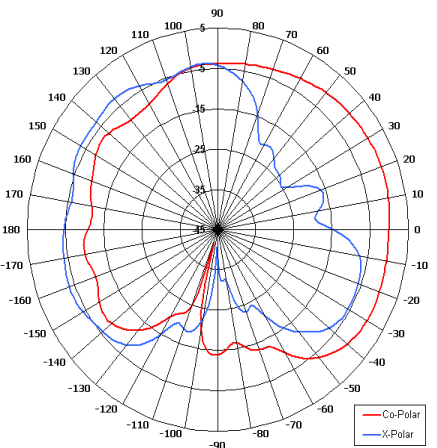
Dual Slant Polarisation

Aesthetic Design

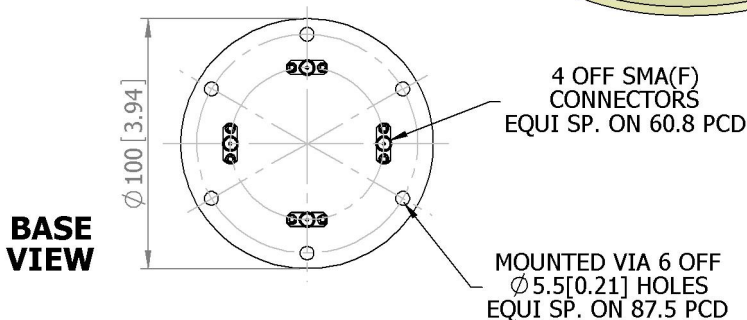
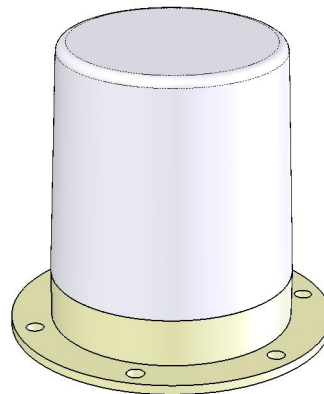
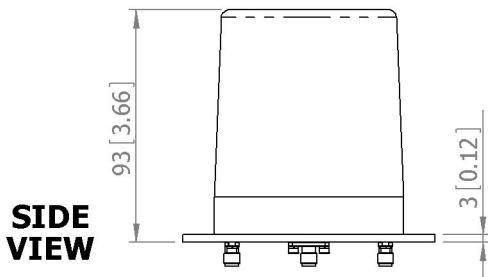
Colour Options



Azimuth Pattern



Elevation Pattern



GA: 1177

ELECTRICAL

Frequency	2.40-2.5 GHz & 5.15-5.725 GHz
Gain	0 dBi Nom
Polarisation	Dual Slant 45°
VSWR	2:1 Max, 1.5:1 Typ
Power Rating	5 W
Front to Back	N/A

MECHANICAL

Standard Finish	Alocrom Base, White Radome
Mass	230g (8 oz)
Temperature	-20° to +50°C

MOUNTING OPTIONS

Kits Available	N/A
----------------	-----

See separate data sheets

ADDITIONAL NOTES

Issued 300710

European Antennas Limited trading as Cobham Antenna Systems, Microwave Antennas

European Antennas Limited has a policy of continuous development and stress that the information provided is a guide only and does not constitute an offer or contract or part thereof. Whilst every effort is made to ensure the accuracy of the information contained in this brochure, no responsibility can be accepted for any errors or omissions.

The copyright of antenna designs and images is copyright protected and owned by European Antennas Limited.
©European Antennas Limited

For further information please contact:

Cobham Antenna Systems, Microwave Antennas
Lambda House, Cheveley,
Newmarket, Suffolk CB8 9RG, UK.
Tel +44 (0)1638 732 177
Fax +44 (0) 1638 731999
Email newmarket.sales@cobham.com